

# Victory

## Owner's Manual

**ATTENTION:**  
Please read the content  
of your owner's manual  
before operating your  
scooter.



*The Ultimate In Style & Performance<sup>®</sup>*

**Pride**  
Mobility Products Corp.

*Exeter, PA  
St. Catharines, ON*

*1-800-800-8586*

*[www.pridemobility.com](http://www.pridemobility.com)*

# SAFETY GUIDELINES

Please read and follow all instructions in this owner's manual before attempting to operate your scooter for the first time. If there is anything in this manual you do not understand, or if you require additional assistance for set-up, contact your local authorized Pride provider.

Using your Pride product safely depends upon your diligence in following the warnings, cautions, and instructions in this owner's manual. Using your Pride product safely also depends upon your own good judgement and/or common sense, as well as that of your provider, caregiver, and/or healthcare professional. Pride is not responsible for injuries and/or damage resulting from any person's failure to follow the warnings, cautions, and instructions in this owner's manual. Pride is not responsible for injuries and/or damage resulting from any person's failure to exercise good judgement and/or common sense.

The symbols below are used throughout this owner's manual to identify warnings and cautions. It is very important for you to read and understand them completely.



**WARNING! Failure to heed the warnings in this owner's manual may result in personal injury.**



**CAUTION! Failure to heed the cautions in this owner's manual may result in damage to your scooter.**

# CONTENTS

<b>I. INTRODUCTION</b> .....	4
<b>II. SAFETY</b> .....	6
<b>III. EMI/RFI</b> .....	14
<b>IV. SPECIFICATIONS</b> .....	16
<b>V. YOUR VICTORY</b> .....	18
<b>VI. BATTERIES AND CHARGING</b> .....	22
<b>VII. OPERATION</b> .....	26
<b>VIII. COMFORT ADJUSTMENTS</b> .....	28
<b>IX. DISASSEMBLY AND ASSEMBLY</b> .....	30
<b>X. OPTIONAL ACCESSORIES</b> .....	32
<b>XI. BASIC TROUBLESHOOTING</b> .....	33
<b>XII. CARE AND MAINTENANCE</b> .....	34
<b>XIII. WARRANTY</b> .....	36

# I. INTRODUCTION

Welcome to Pride Mobility Products Corporation (Pride). Congratulations on the purchase of your new Pride Scooter. Your scooter design combines the most advanced state-of-the-art components with modern, attractive styling. We are certain that the design features and trouble-free operation will add convenience to your daily living and ensure complete satisfaction.

At Pride, your safety is important to us. Please read and follow all of the instructions in this manual before you attempt to operate your scooter for the first time. These instructions were produced for your benefit. Your understanding of these instructions is essential for the safe operation of your new Pride Scooter.

Pride is not liable for damage to property or personal injury arising out of the unsafe use of a Pride Scooter. Pride is also not liable for any property damage or personal injury arising out of the failure of any person and/or user to follow the instructions and recommendations set forth in this manual or any other instructions or recommendations contained in other scooter related literature issued by Pride or contained on the Pride Scooter itself.

This owner's manual is compiled from the latest specifications and product information available at the time of publication. We reserve the right to make changes as they become necessary. Any changes to our products may cause slight variations between the illustrations and explanations in this manual and the product you have purchased.

If you experience any problems with your scooter that you are not able to solve, or if you do not feel capable of safely following any of the instructions and/or recommendations contained in this manual, please contact your authorized Pride Provider for assistance.

Once you understand how to operate and take care of your scooter, we are certain that it will give you years of trouble-free service and enjoyment.

## **Information Exchange**

We want to hear your questions, comments, and suggestions regarding this manual. We would also like to hear about the safety and reliability of your new Pride Scooter, and the service you received from your authorized Pride Provider.

Please notify us of any change of address so we can keep you apprised of important information regarding safety, new products, and new options that can increase your ability to use and enjoy your Pride Scooter. Please feel free to write us at the address below:

Pride Mobility Products Corporation  
Attn: Customer Care Department  
182 Susquehanna Avenue  
Exeter, PA 18643-2694

customercare@pridemobility.com  
1-800-424-8205

# I. INTRODUCTION

## **Pride Owners Club**

As a Pride product owner, you are invited to register your product's warranty and enroll in the Pride Owners Club. You may do so by filling out and returning your enclosed registration card or by visiting Pride's web site at [www.pridemobility.com](http://www.pridemobility.com). As a registered member, each time you visit our site you will have access to the most interactive and honest educational venue available today for people with mobility needs, their families, and friends.

From our home page, click on the button that reads "Owners Club" to enter a page dedicated to current and potential Pride product owners. You will gain access to interviews, stories, recreation ideas, daily living tips, product and funding information, and interactive message boards. Message boards invite you to speak with other Pride customers as well as Pride representatives who are available to assist you with any questions or concerns you may have.

## **My Authorized Pride Provider Is:**

Name: \_\_\_\_\_

Address: \_\_\_\_\_

Phone Number: \_\_\_\_\_

## **Quick Reference Information:**

Scooter Model: \_\_\_\_\_

Serial Number: \_\_\_\_\_

Purchase Date: \_\_\_\_\_

*NOTE: If you ever lose or misplace your product registration card or this owner's manual, contact us and we will be glad to send you a new one immediately.*

## II. SAFETY

### GENERAL



**WARNING! Do not operate your new scooter for the first time without completely reading and understanding this owner's manual.**

Your scooter is a state-of-the-art life-enhancement device designed to increase mobility. Pride provides an extensive variety of products to best fit the individual needs of the scooter user. Please be aware that the final selection and purchasing decision regarding the type of scooter to be used is the responsibility of the scooter user who is capable of making such a decision and his/her healthcare professional (i.e., medical doctor, physical therapist, etc.).

The contents of this manual are based on the expectation that a mobility device expert has properly fitted the scooter to the user and has assisted the prescribing healthcare professional and/or the authorized Pride Provider in the instruction process for the use of the product.

There are certain situations, including some medical conditions, where the scooter user will need to practice operating the scooter in the presence of a trained attendant. A trained attendant can be defined as a family member or care professional specially trained in assisting a scooter user in various daily living activities.

As you begin using your scooter during daily activities, you will probably encounter situations in which you will need some practice. Simply take your time and you will soon be in full and confident control as you maneuver through doorways, on and off elevators, up and down ramps, and over moderate terrain.

Below are some precautions, tips, and other safety considerations that will help the user become accustomed to operating the scooter safely.

### MODIFICATIONS

Pride has designed and engineered your scooter to provide maximum mobility and utility. A wide range of accessories is available from your authorized Pride Provider to further customize your scooter to better suit your needs and/or preferences. However, under no circumstances should you modify, add, remove, or disable any feature, part, or function of your scooter.



**WARNING! Do not modify your scooter in any way not authorized by Pride. Unauthorized modifications may result in personal injury and/or damage to your scooter.**

### REMOVABLE PARTS



**WARNING! Do not attempt to lift or move a scooter by any of its removable parts. Personal injury and damage to the scooter may result.**

### ELECTROMAGNETIC FIELDS

Your scooter's road performance features may be influenced by electromagnetic fields caused by cellular telephones or other radiating devices, such as hand-held radios, radio and television stations, wireless computer links, microwave sources, and paging transmitters. Learn more about this topic in III. "EMI-RFI."

## II. SAFETY

### PRE-RIDE SAFETY CHECK

Get to know the feel of your scooter and its capabilities. Pride recommends that you perform a safety check before each use to make sure your scooter operates smoothly and safely. For details on how to perform these necessary inspections, see XII. "Care and Maintenance."

Perform the following inspections prior to using your scooter:

- Check for proper tire inflation. Maintain **30-35 psi** in each tire (if equipped with pneumatic tires).
- Check all electrical connections. Make sure they are tight and not corroded.
- Check all controller connections to the utility tray. Make sure they are secured properly.
- Check the brakes.
- Check battery charge.

### TIRE INFLATION

If your scooter is equipped with pneumatic tires, you should check or have the air pressure checked at least once a week. Proper inflation pressures will prolong the life of your tires and help ensure the smooth operation of your scooter.



**WARNING! It is critically important that 30-35 psi tire pressure be maintained in pneumatic tires at all times. Do not underinflate or overinflate your tires. Low pressure may result in loss of control, and overinflated tires may burst. Failure to maintain 30-35 psi tire pressure in pneumatic tires at all times may result in tire and/or wheel failure, causing serious personal injury and/or damage to your scooter.**

**WARNING! Inflate your scooter tires from a regulated air source with an available pressure gauge. Inflating your tires from an unregulated air source could overinflate them, resulting in a burst tire and/or personal injury**

### WEIGHT LIMITATIONS

Your scooter is rated for a maximum weight capacity. Please refer to the specifications table for this capacity.



**WARNING! Exceeding the weight limit voids your warranty and may result in personal injury and damage to your scooter. Pride will not be held responsible for injuries and/or property damage resulting from failure to observe weight limitations.**

**WARNING! Do not carry passengers on your scooter. Carrying passengers may result in personal injury and/or property damage.**

### INCLINE INFORMATION

More and more buildings have ramps with specified degrees of inclination designed for easy and safe access. Some ramps may have turning switchbacks (180-degree turns) that require you to have good cornering skills on your scooter.

- Proceed with extreme caution as you approach the downgrade of a ramp or other incline.
- Take wide swings with your scooter's front wheel(s) around any tight corners. If you do that, the scooter's rear wheels will follow a wide arc, not cut the corner short, and not bump into or get hung up on any railing corners.
- When driving down a ramp, keep the scooter's speed adjustment set to the slowest speed setting to ensure a safely controlled descent. See V. "Your Victory."
- Avoid sudden stops and starts.

## II. SAFETY

When climbing an incline, try to keep your scooter moving. If you must stop, start up again slowly, and then accelerate cautiously. When driving down an incline, do so by setting the speed adjustment dial to the slowest setting and driving in the forward direction only. If your scooter starts to move down the incline faster than you anticipated or desired, allow it to come to a complete stop by releasing the throttle control lever. Then push the throttle control lever forward slightly to ensure a safely controlled descent.

**WARNING! When climbing an incline, do not zigzag or drive at an angle up the face of the incline. Drive your scooter straight up the incline. This greatly reduces the possibility of a tip or a fall. Always exercise extreme caution when negotiating an incline.**

**WARNING! Do not drive your scooter across the side of a hill or diagonally up or down a hill; do not stop, if possible, while driving up or down an incline.**



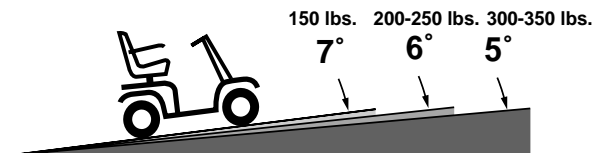
**WARNING! You should not travel up or down a potentially hazardous incline (i.e., areas covered with snow, ice, cut grass, or wet leaves).**

**WARNING! When on any sort of an incline or decline, never place the scooter in freewheel mode while seated on it or standing next to it.**

**WARNING! Even though your scooter is capable of climbing slopes greater than those illustrated in figures 1 and 1A, do not, under any circumstances, exceed the incline guidelines or any other specifications presented in this manual. Doing so could cause instability in your scooter, resulting in personal injury and/or damage to your scooter.**

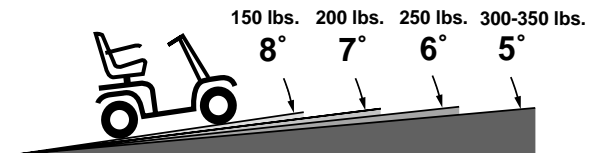
Other inclines may be natural or, if man-made, not designed specifically for scooters. Figures 1 and 1A illustrate your scooter's stability and its ability to climb grades under various weight loads and under controlled testing conditions.

These tests were conducted with the scooter's seat in the highest position and adjusted backward on the seat base to its farthest rearward position. Use this information as a guideline. Your scooter's ability to travel up inclines is affected by your weight, your scooter's speed, your angle of approach to the incline, and your scooter setup.



VICTORY 3

Figure 1. Maximum Recommended Incline Angles



VICTORY 4

Figure 1A. Maximum Recommended Incline Angle



**WARNING! Any attempt to climb or descend a slope steeper than shown in figures 1 and 1A may put your scooter in an unstable position and cause it to tip, resulting in personal injury.**



**WARNING! Never use an oxygen tank weighing more than 15 lbs. Never fill the rear basket with contents exceeding 15 lbs.**



## II. SAFETY

When you approach an incline, it is best to lean forward. See figures 2 and 3. This shifts the center of gravity of you and your scooter toward the front of the scooter for improved stability.



Figure 2. Normal Driving Position

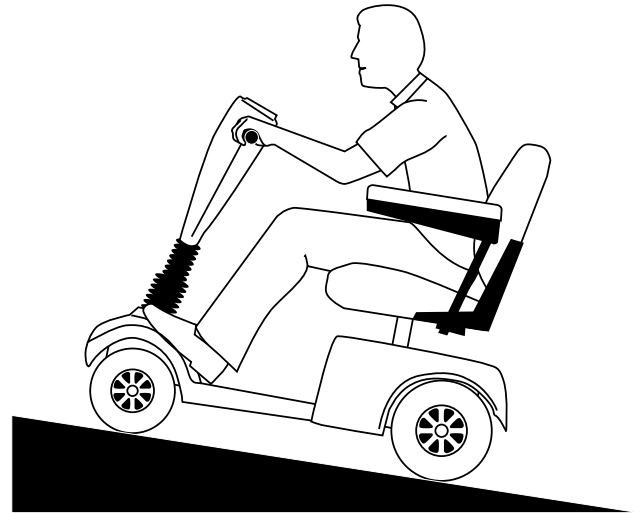


Figure 3. Increased Stability Driving Position

### CORNERING INFORMATION

Excessively high cornering speeds can create the possibility of tipping. Factors which affect the possibility of tipping include, but are not limited to, cornering speed, steering angle (how sharply you are turning), uneven road surfaces, inclined road surfaces, riding from an area of low traction to an area of high traction (such as passing from a grassy area to a paved area – especially at high speed while turning), and abrupt directional changes. High cornering speeds are not recommended. If you feel that you may tip over in a corner, reduce your speed and steering angle (i.e., lessen the sharpness of the turn) to prevent your scooter from tipping.



**WARNING! When cornering sharply, reduce your speed. When using your scooter at higher speeds, do not corner sharply. This greatly reduces the possibility of a tip or fall. To avoid personal injury or property damage, always exercise common sense when cornering.**

### BRAKING INFORMATION

Your scooter is equipped with these powerful brake systems:

1. Regenerative: Uses electricity to rapidly slow the vehicle when the throttle control lever returns to the center/stop position; and
2. Disc Park Brake: Activates mechanically after regenerative braking slows the vehicle to a near stop, or when power is removed from the system for any reason.

## II. SAFETY

### STATIONARY OBSTACLES (STEPS, CURBS, ETC.)

**WARNING! Do not drive near raised surfaces, unprotected ledges, and/or drop-offs (curbs, porches, stairs, etc.).**

**WARNING! Do not attempt to have your scooter climb or descend an obstacle that is inordinately high. Serious personal injury and/or damage may result.**



**WARNING! Do not attempt to have your scooter proceed backward down any step, curb, or other obstacle. This may cause the scooter to tip and cause personal injury.**

**WARNING! Be sure your scooter is traveling perpendicular to any curb you may be required to ascend or descend. See figures 4 and 4A.**

**WARNING! Do not attempt to negotiate a curb that has a height greater than two inches.**

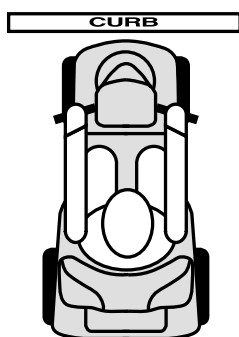


Figure 4. Correct Curb Approach

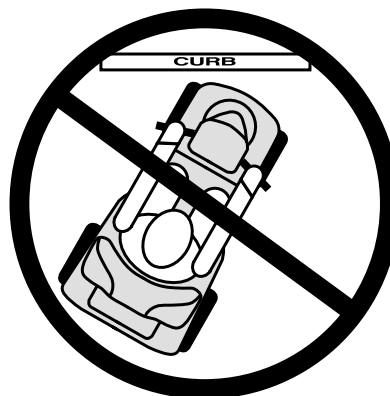


Figure 4A. Incorrect Curb Approach

### OUTDOOR DRIVING SURFACES

Your scooter is designed to provide optimum stability under normal driving conditions—dry, level surfaces composed of concrete, blacktop, or asphalt. However, Pride recognizes that there will be times when you will encounter other surface types. For this reason, your scooter is designed to perform admirably on packed soil, grass, and gravel. Feel free to use your scooter safely on lawns and in park areas.

- Reduce your scooter's speed when driving on uneven terrain and/or soft surfaces.
- Avoid tall grass that can become tangled in the running gear.
- Avoid loosely packed gravel and sand.
- If you feel unsure about a driving surface, avoid that surface.

### PUBLIC STREETS AND ROADWAYS



**WARNING! You should not operate your scooter on public streets and roadways. Be aware that it may be difficult for traffic to see you when you are seated on your scooter. Obey all local pedestrian traffic rules. Wait until your path is clear of traffic, and then proceed with extreme caution.**

*NOTE: Safety accessories such as fluorescent flags, are available to order from your authorized Pride Provider.*

## II. SAFETY

### INCLEMENT WEATHER PRECAUTIONS



**WARNING! Pride recommends that you do not operate your scooter in icy or slippery conditions or on salted surfaces (i.e., walks or roads). Such use may result in an accident, personal injury, or adversely affect the performance and safety of your scooter.**

**WARNING! Pride recommends that you do not expose your scooter to any type of moisture at any time (rain, snow, mist, or wash). Such exposure can damage your scooter. Never operate your scooter if it has been exposed to moisture until it has dried thoroughly.**

### FREEWHEEL MODE

Your scooter is equipped with a manual freewheel lever that when pulled up allows the scooter to be pushed. For more information about how to place your scooter into and out of freewheel mode, see V. “Your Victory.”



**WARNING! When your scooter is in freewheel mode, the braking system is disengaged.**

- **Disengage the drive motors only on a level surface.**
- **Ensure the key is removed from the key switch.**
- **Stand behind the scooter to engage or disengage freewheel mode. Never sit on a scooter to do this.**
- **After you have finished pushing your scooter, always return it to the drive mode to lock the brakes.**

**Failure to heed the above could result in personal injury and/or damage to your scooter.**

An added feature built into the scooter is “push-too-fast” protection which safeguards the scooter against gaining excessive speed while in freewheel mode.

“Push-too-fast” operates differently depending on which of two conditions exists:

- If the key is removed from the key switch when the scooter is in freewheel mode, the scooter’s controller activates regenerative braking when the scooter is pushed faster than a maximum threshold which has been preprogrammed. In this case, the controller is acting as a speed governor.
- If the key is inserted into the key switch while the scooter is in freewheel mode, you will encounter considerable resistance at any speed. This prevents the scooter from gaining unwanted momentum should the manual freewheel lever inadvertently be released while driving the scooter.

### STAIRS AND ESCALATORS

Scooters are not designed to travel up or down stairs or escalators. Always use an elevator.



**WARNING! Do not use your scooter to negotiate steps or escalators. You may cause injury to yourself and to others and/or damage your scooter.**

### DOORS

- Determine if the door opens toward or away from you.
- Use your hand to turn the knob or push the handle or push-bar.
- Drive your scooter gently and slowly forward to push the door open. Or drive your scooter gently and slowly backwards to pull the door open.

## II. SAFETY

### ELEVATORS

Modern elevators have a door edge safety mechanism that, when pushed, reopens the elevator door(s).

- If you are in the doorway of an elevator when the door(s) begin to close, push on the rubber door edge or allow the rubber door edge to contact the scooter and the door will reopen.
- Use care that pocketbooks, packages, or scooter accessories do not become caught in elevator doors.

### LIFT/ELEVATION PRODUCTS

If you will be traveling with your scooter, you may find it necessary to use a lift/elevation product to aid in transportation. Pride recommends that you closely review the instructions, specifications, and safety information set forth by the manufacturer of the lift/elevation product before using that product.

### BATTERIES

In addition to following the warnings below, be sure to comply with all other battery handling information. For more information about your scooter's batteries, see VI. "Batteries and Charging."

**WARNING! Scooter batteries are heavy (refer to specifications table). Lifting weight beyond your capacity could result in personal injury. If necessary, get someone physically able to lift the scooter batteries for you.**



**WARNING! Battery posts, terminals, and related accessories contain lead and lead compounds. Wash hands after handling.**

**WARNING! Always protect the batteries from freezing and never charge a frozen battery. Charging a frozen battery may result in personal injury and/or damage to the battery.**

**WARNING! RED (+) cables must be connected to positive (+) battery terminals/posts. BLACK (-) cables must be connected to negative (-) battery terminals/posts. Failure to connect your battery harnesses in the proper manner may result in personal injury and/or damage to your scooter. REPLACE cables immediately if damaged.**

### PREVENTING UNINTENDED MOVEMENT



**WARNING! If you anticipate being seated in a stationary position for an extended period of time, turn off the power. This will prevent unexpected motion from inadvertent throttle control lever contact. Failure to do so may result in personal injury.**

### MOTOR VEHICLE TRANSPORT

Currently, there are no standards approved for tie-down systems in a moving vehicle of any type to transport a person while seated in a scooter.

Although your scooter may be equipped with a positioning belt, this belt is not designed to provide proper restraint during motor vehicle transport. Anyone traveling in a motor vehicle should be properly secured in the motor vehicle seat with safety belts fastened securely.



**WARNING! Do not sit on your scooter while it is in a moving vehicle. Personal injury and/or property damage may result.**

**WARNING! Always be sure your scooter and its batteries are properly secured when it is being transported. Failure to do so may result in personal injury and/or damage to your scooter.**

## II. SAFETY

### GETTING ONTO AND OFF OF YOUR SCOOTER

Getting onto and off of your scooter requires a good sense of balance. Please observe the following safety tips when getting onto and off of your scooter:

- Power down your scooter. See VII. “Operation.”
- Ensure that your scooter is not in freewheel mode. See V. “Your Victory.”
- Make certain that the seat is locked into place and the key is removed from the key switch.
- The seat armrests can be flipped up to make getting onto and off of the scooter easier.

**WARNING! Position yourself as far back as possible in the scooter seat to prevent the scooter from tipping and causing injury.**



**WARNING! Avoid using your armrests for weight bearing purposes. Such use may cause the scooter to tip and cause personal injury.**

**WARNING! Avoid putting all of your weight on the floorboard. Such use may cause the scooter to tip and cause personal injury.**

### POSITIONING BELTS

Your authorized Pride Provider, therapist(s), and other healthcare professionals are responsible for determining your requirement for a positioning belt in order to operate your scooter safely.



**WARNING! If you require a positioning belt to safely operate your scooter, make sure it is fastened securely. Serious personal injury may result if you fall from the scooter.**

### REACHING AND BENDING

Avoid reaching or bending while driving your scooter. When reaching, bending, or leaning while seated on your scooter, it is important to maintain a stable center of gravity and keep the scooter from tipping. Pride recommends that the scooter user determine his/her personal limitations and practice bending and reaching in the presence of a qualified healthcare professional.



**WARNING! Do not bend, lean, or reach for objects if you have to pick them up from the floor by reaching down between your knees. Movements such as these may change your center of gravity and the weight distribution of the scooter and cause your scooter to tip, possibly resulting in personal injury. Keep your hands away from the tires when driving.**

### PRESCRIPTION DRUGS/PHYSICAL LIMITATIONS

The scooter user must exercise care and common sense when operating his/her scooter. This includes awareness of safety issues when taking prescribed or over-the-counter drugs or when the user has specific physical limitations.



**WARNING! Consult your physician if you are taking prescribed or over-the-counter medication or if you have certain physical limitations. Some medications and limitations may impair your ability to operate your scooter in a safe manner.**

### ALCOHOL

The scooter user must exercise care and common sense when operating his/her scooter. This includes awareness of safety issues while under the influence of alcohol.



**WARNING! Do not operate your scooter while you are under the influence of alcohol, as this may impair your ability to drive safely.**

# III. EMI/RFI

## EMI/RFI WARNINGS

Laboratory tests performed by the Food and Drug Administration (FDA) have shown that radio waves can cause unintended motion of electric mobility vehicles. Radio waves are a form of electromagnetic energy (EM). When electromagnetic energy adversely affects the operation of an electrical device, that adverse effect is called *Electromagnetic Interference (EMI) or Radio Frequency Interference (RFI)*.



**WARNING! Radio waves may interfere with the control of scooters.**

## EMI/RFI FREQUENTLY ASKED QUESTIONS (FAQS)

The following FAQs summarize what you should know about EMI/RFI. Use this information to minimize the risk that EMI/RFI will adversely affect your mobility vehicle.

### Where do radio waves come from?

Radio waves are emitted from the antennas of cellular phones, mobile two-way radios (such as walkie-talkies and CBs), radio stations, TV stations, amateur radio (HAM) transmitters, wireless computer links, microwave sources, and paging transmitters. Radio waves are a form of electromagnetic energy (EM). EM is more intense closer to transmitting antennas, which are sources of emission. The greater the transmission strength, the greater the concern to electric mobility vehicle users

### If EMI/RFI affects my mobility vehicle, what kind of motion should I expect?

This is difficult to predict. The answer would depend on a number of factors:

- The strength of the radio waves.
- The construction of your particular mobility vehicle.
- The location of your mobility vehicle (whether it is on the level ground or on an incline).
- Whether or not your mobility vehicle is in motion.

The motion of any electric mobility vehicle affected by EMI/RFI can be erratic. The mobility vehicle may come to a sudden stop or move in an uncontrolled manner. Also, it is possible for EMI/RFI to release the brakes of an electric mobility vehicle. Some intense EMI/RFI can even damage the control system components of an electric mobility vehicle.

### Is there any way to know for certain whether or not radio waves are the cause of any unintended mobility vehicle motion?

Unfortunately, EMI/RFI may be difficult to recognize, because the signals from radio sources are invisible and may be intermittent. However, the FDA recommends that you report all incidents of unintended motion or unintended brake release of your mobility vehicle to its manufacturer and, if possible, determine whether or not there was a radio wave source nearby at the time of the incident.

One precaution you can take against unintended motion of your mobility vehicle is to make certain that you or someone else is not the cause of the unintended motion.

- Turn off your mobility vehicle by removing the key from the key switch when you are getting onto or off of your mobility vehicle.
- Never leave the key in the key switch of an unattended mobility vehicle.
- By following these steps, you greatly reduce the risk of you or anyone else inadvertently bumping the throttle control levers and causing the mobility vehicle to move unintentionally.

### Has anyone been injured by the erratic, unintended motion of an electric mobility vehicle?

The FDA has reports of injuries that resulted from uncontrolled motion of electric mobility vehicles, but it is not clear just how many of those injuries were actually caused by EMI/RFI.

## III. EMI/RFI

### **Are all electric mobility vehicles susceptible to EMI/RFI?**

Each make and model of electric mobility vehicle differs in its ability to resist EMI/RFI. Every mobility vehicle has a particular level of resistance to EMI/RFI. This resistance is measured in volts per meter (V/m). A higher resistance level offers greater protection against EMI/RFI. In other words, an electric mobility vehicle with a high resistance level is less likely to be affected by a strong radio source than is an electric mobility vehicle with a low resistance level.

### **What is the FDA doing about the problem?**

The FDA has written to electric mobility vehicle manufacturers and requested that those manufacturers test their new mobility vehicle models to be certain that they provide a reasonable degree of resistance against EMI/RFI. The FDA has stated that all newly manufactured electric mobility vehicle models should have a resistance level of at least 20 V/m. This level of resistance provides a reasonable degree of protection against the common sources of EMI/RFI.

The FDA has also requested or recommended that:

- Electric mobility vehicle manufacturers clearly label new products with their resistance level or state that the resistance level is not known.
- The labeling or informational material supplied with new electric mobility vehicles must explain what the resistance level means and warn users about the possibility of EMI/RFI and how to avoid it.
- Electric mobility vehicle manufacturers undertake an educational program to inform electric mobility vehicle users and their caregivers about the problems associated with EMI/RFI and about the actions they can take to minimize the risk of EMI/RFI.
- While there is no exact way to tell if your mobility vehicle is totally safe, an immunity level of 20 V/m is generally achievable and useful. This product has been tested and passed at an immunity level of 20 V/m.

### **What can I do to find out if my mobility vehicle is likely to be affected by EMI/RFI?**

If you have had your mobility vehicle for some time and have not experienced any unintended motion, it is not likely that you will have a problem in the future. However, it is always possible that EMI/RFI problems could arise if you are close to a source of radio waves. Therefore, it is very important for you to be alert to this possibility. The mobility vehicle meets or exceeds a resistance level of at least 20 V/m.

### **What can I do to reduce the risk of my mobility vehicle being affected by EMI/RFI?**

Here are some precautions you can take:

- Do not turn on or use hand-held personal communications devices, such as citizens band (CB) radios and cellular phones, while your mobility vehicle is turned on.
- Be aware of nearby radio wave transmitters, such as radio or TV stations and hand-held or mobile two-way radios. Try not to operate your mobility vehicle too close to those transmitters. For example, if you are on an electric mobility vehicle with a resistance level of at least 20 V/m, you should remain at least three feet from a hand-held two-way radio and at least ten feet from a mobile two-way radio.
- Be aware that adding accessories and/or components, or modifying your mobility vehicle in any way, may change its EMI/RFI resistance level and may make it more susceptible to interference from radio wave sources.

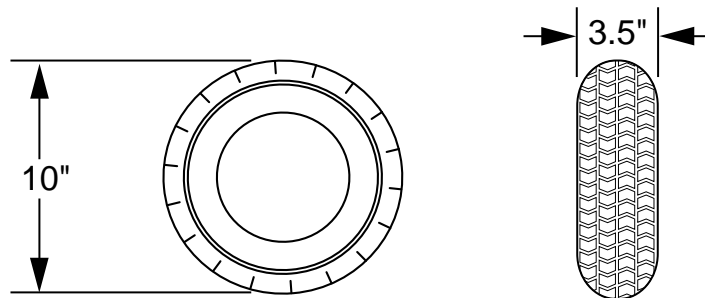
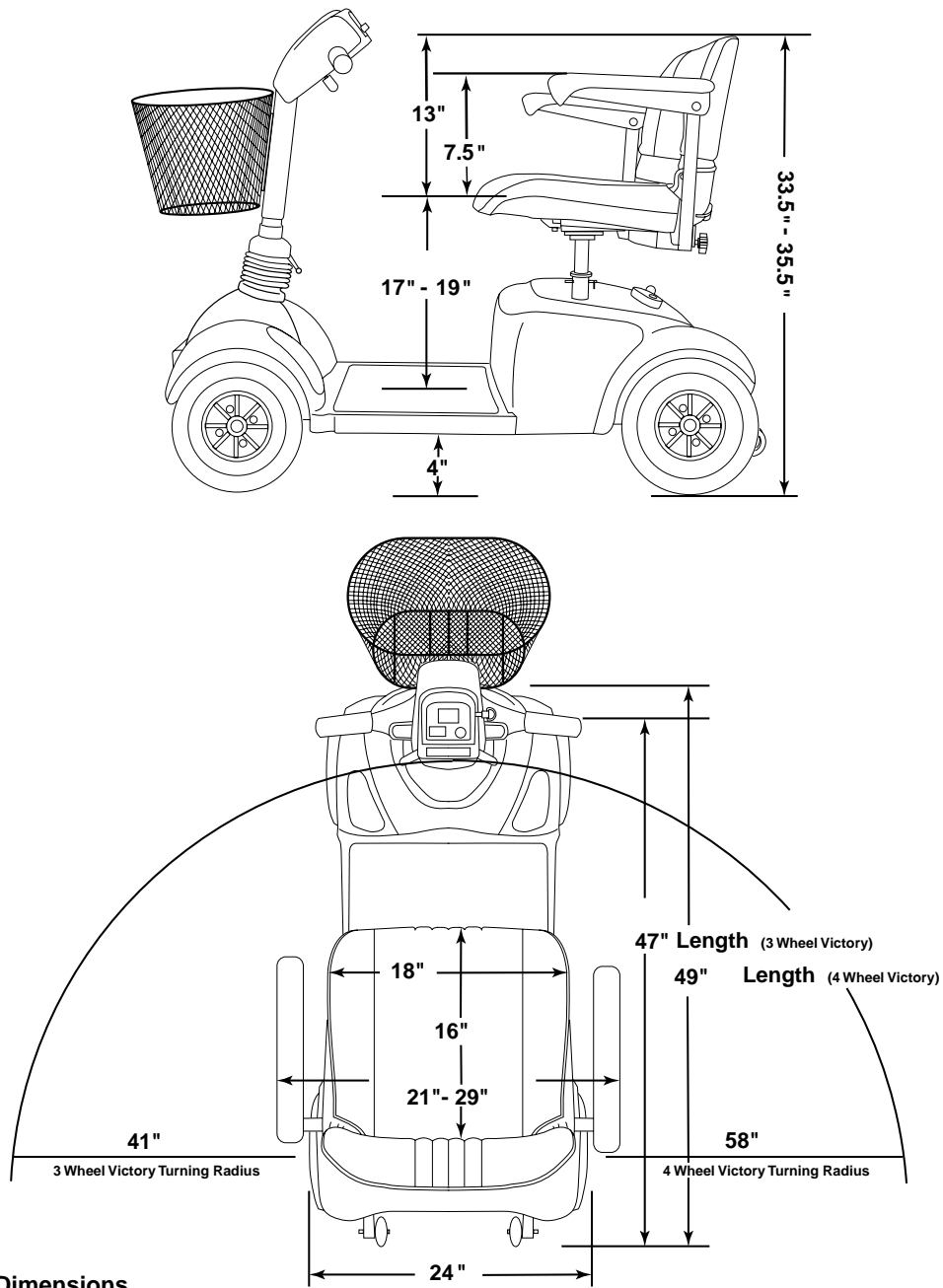
### **What should I do if my mobility vehicle moves unexpectedly?**

If unintended motion or unintended brake release occurs, turn off your mobility vehicle (by removing the key) as soon as it is safe to do so.

### **If my mobility vehicle moves unintentionally, where should I report the incident?**

Call the Pride Technical Service Department at 1-800-424-8205 to report the incident.

# IV. SPECIFICATIONS





## IV. SPECIFICATIONS

<b>Model Number(s)</b>	<b>3-wheel: SC1600 4-wheel: SC1700</b>
<b>Available Colors</b>	<b>Painted: Candy Apple Red, Viper Blue, Onyx Black</b>
<b>Overall Length (3-wheel)</b>	<b>Victory 3: 47 in.</b>
<b>Overall Length (4-wheel)</b>	<b>Victory 4: 49 in.</b>
<b>Overall Width</b>	<b>24in.</b>
<b>Total Weight Without Batteries</b>	<b>3-wheel 102 lbs., 4-wheel 108 lbs.</b>
<b>Heaviest Piece When Disassembled</b>	<b>Rear section 45 lbs.</b>
<b>Turning Radius</b>	<b>3-wheel: 41 in., 4-wheel: 58 in.</b>
<b>Maximum Speed</b>	<b>Variable up to 5 mph, 60% reverse (may vary with terrain)</b>
<b>Range Per Charge*</b>	<b>Up to 25 miles with 32 AH batteries</b>
<b>Ground Clearance</b>	<b>4 in.</b>
<b>Weight Capacity</b>	<b>350 lbs. maximum</b>
<b>Standard Seating</b>	<b>Type: Foldable molded plastic; removable seat covers with foam inserts are attached to seat. Dimensions: 18 in. width (usable) x 16 in. depth (usable) x 13 in. height (usable) Material: Gray or Black (in vinyl)                   Gray (in fabric)</b>
<b>Drive System</b>	<b>Rear-wheel drive, 24V sealed transaxle</b>
<b>Dual Braking System</b>	<b>Electronic, regenerative and electromechanical</b>
<b>Wheels</b>	<b>Aluminum alloy mags</b>
<b>Tires (front)</b>	<b>3.5 in. x 10 in.</b>
<b>Tires (rear)</b>	<b>3.5 in. x 10 in.</b>
<b>Battery Requirements</b>	<b>Type: 12V deep-cycle (SLA or gell cell) Size: U-1 Amp hours: 32AH</b>
<b>Battery Charger</b>	<b>Onboard, 3-amp</b>
<b>Warranty</b>	<b>3-year limited</b>
<b>Accessories and Options</b>	<b>Taillight, safety flag, cane/crutch holder, walker holder, oxygen holder, single and double crutch holder, cane/crutch holder (bracket mount ), cane/crutch holder (armrest mount ), rear basket, quad cane holder, saddle bag,</b>

\*Varies with user weight, terrain type, battery charge, battery condition, and tire pressure

# V. YOUR VICTORY

Your Victory is a motorized electric scooter designed to enhance your personal mobility. Your Victory is an indoor/outdoor scooter designed to travel primarily on smooth surfaces such as sidewalks, roads, parking lots, floors, and driveways. For easy transportation or storage, you can disassemble your scooter into seven components. See figure 6.

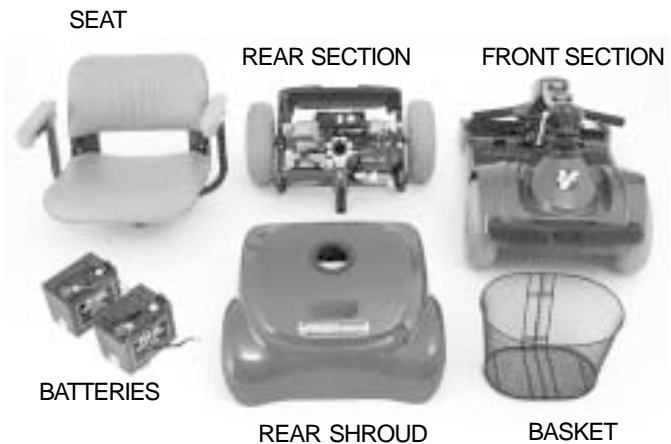


Figure 6. Victory Components

## CONTROL CONSOLE ASSEMBLY

The control console assembly houses all the controls you need to drive your scooter, including the key switch, the speed adjustment dial, the throttle control lever, the battery condition meter, the horn button, and the light switch. See figure 7.



**WARNING! Do not expose the control console assembly to moisture. In the event that the console does become exposed to moisture, do not attempt to operate your scooter until the control console assembly has thoroughly dried.**

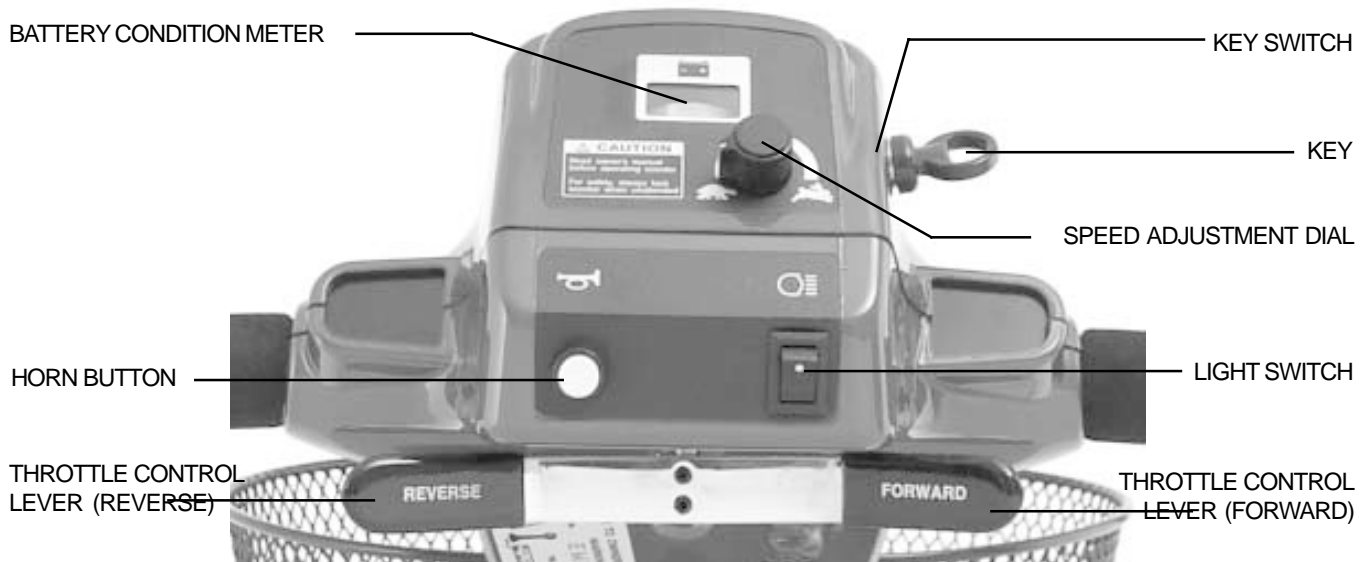


Figure 7. Control Console Assembly

# V. YOUR VICTORY

## Key Switch

- Fully insert the key into the key switch to power up (turn on) your scooter.
- Pull the key out to power down (turn off) your scooter.



**WARNING! If the key is removed from the key switch while your scooter is in motion, the electronic brakes will engage and your scooter will come to an abrupt stop!**

## Speed Adjustment Dial

This adjustment dial allows you to preselect and limit your scooter's top speed.

- The image of the tortoise represents the slowest speed setting.
- The image of the hare represents the fastest speed setting.

## Throttle Control Lever

This lever allows you to control the forward speed and the reverse speed of your scooter up to the maximum speed preset with the speed adjustment dial.

- Place your right hand on the right handgrip and your left hand on the left handgrip.
- Use your right thumb to push the right side of the lever to disengage your scooter's brake and move forward.
- Release the lever and allow your scooter to come to a complete stop before pushing the left side of the lever to move in reverse.
- When the throttle is completely released, it automatically returns to the center "stop" position and engages your scooter's brake.

## Battery Condition Meter

Whenever you have the key fully inserted, this meter gives an approximate reading of your scooter's battery voltage.

## Horn Button

This button activates a warning horn.

- The key must be fully inserted into the key switch for the horn to be operational.
- Do not hesitate to use the warning horn when you feel its use will prevent accident or injury.

## Light Switch

This is a rocker switch that controls your scooter's headlight system.

- Push up to turn the lights on.
- Push down to turn the lights off.

# V. YOUR VICTORY

## REAR SECTION

The onboard battery charger, the charger power cord receptacle, the ammeter, the batteries (not shown), the electronic controller module, the main circuit breaker (reset button), the manual freewheel lever, and the motor/transaxle assembly are located on the rear section of your scooter. See figure 8. Refer to IX. “Disassembly and Assembly” for instructions on removing the rear shroud.

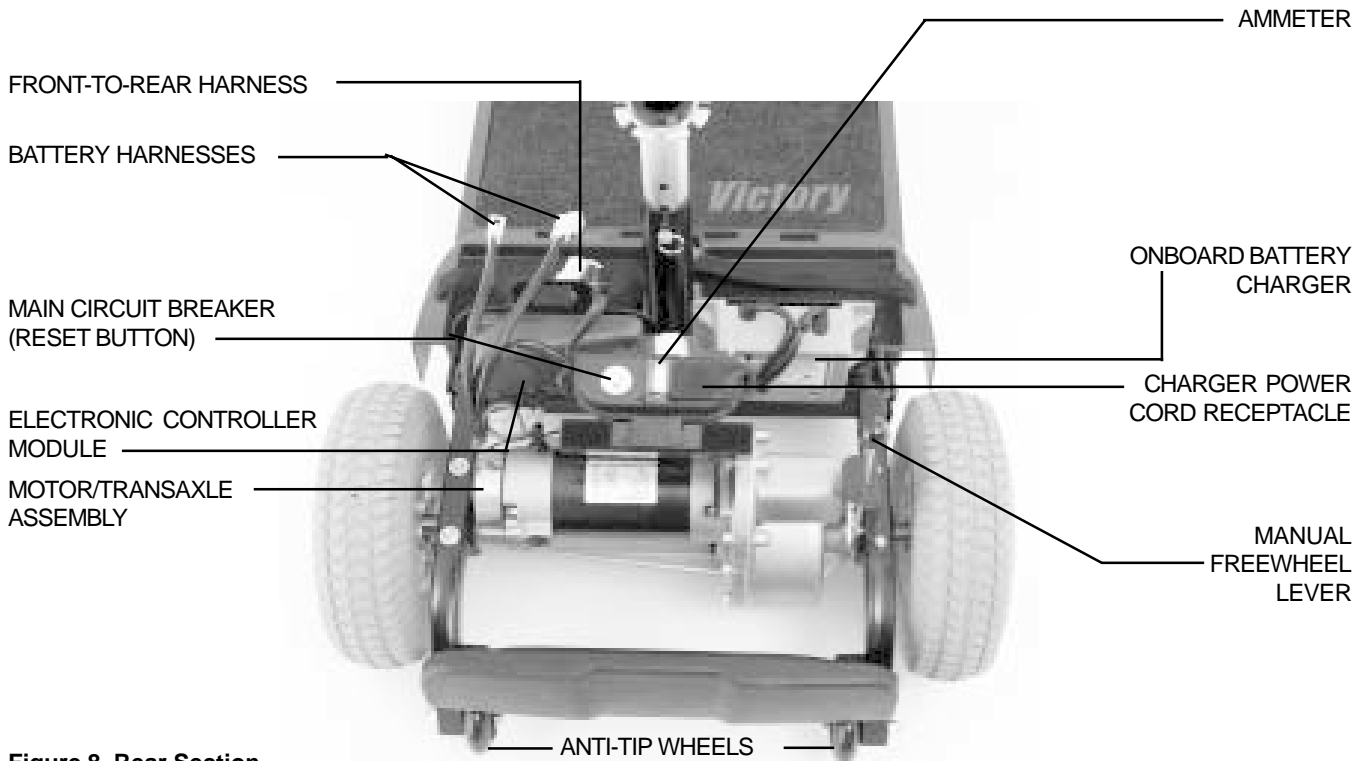


Figure 8. Rear Section

## Onboard Battery Charger

The onboard battery charger converts household current (AC) to direct current (DC) and charges the batteries of your scooter. See VI. “Batteries and Charging.”

- The charger is located behind the batteries and at the forward right corner of the rear section.
- The charger is a gray-colored box located behind the right battery.
- The charger power cord plugs into your scooter’s battery charger by means of a receptacle located on the rear section of your scooter, near the manual freewheel lever and the main circuit breaker reset button. See figure 8.

## Batteries

The batteries store the electrical energy that powers your scooter. See VI. “Batteries and Charging.”

## Electronic Controller Module

The electronic controller module is located behind the batteries and at the forward left corner of the scooter’s rear section. This assembly receives electrical signals from the console controls and sends power to the motor, the brakes, the headlight, and the optional lighting system.

# V. YOUR VICTORY

## Main Circuit Breaker

When the voltage in your scooter's batteries becomes low or your scooter is heavily strained because of excessive loads or steep inclines, the main circuit breaker may trip to protect your scooter's motor and electronics from damage.

- The main circuit breaker is mounted on the rear section of the scooter. See figure 8.
- The main circuit breaker reset button pops out when the breaker trips.
- When the breaker trips, the entire electrical system of your scooter is shut down.
- Allow a minute or so for your scooter's electronics to "rest."
- Push in the reset button to reset the breaker.
- If the breaker trips frequently, you may need to charge your batteries more often. You may also need to have your authorized Pride Provider perform a load test on your scooter's batteries.
- If the main circuit breaker trips repeatedly, see your authorized Pride Provider for service.

## Ammeter

During charging, the ammeter indicates the charging rate, or how hard the charger is working to charge the scooter's batteries. See VI. "Batteries and Charging."

## Manual Freewheel Lever

Whenever you need or want to push your scooter for short distances, you can put it in freewheel mode.

- The manual freewheel lever is located on the end of the motor/transaxle assembly at the right rear of the scooter.
- Pull up on the manual freewheel lever to disable the drive system and the brake system.
- You will then be able to push your scooter.
- Push down on the manual freewheel lever to reengage the drive system and the brake system and to take your scooter out of freewheel mode.



**WARNING! When your scooter is in freewheel mode, the braking system is disengaged.**

- **Disengage the drive motors only on a level surface.**
- **Ensure the key is removed from the key switch.**
- **Stand behind the scooter to engage or disengage freewheel mode. Never sit on a scooter to do this.**
- **After you have finished pushing your scooter, always return it to the drive mode to lock the brakes.**

**Failure to heed the above could result in personal injury and/or damage to your scooter.**

## Motor/Transaxle Assembly

The motor/transaxle assembly consists of a geared transmission and differential. This one piece, direct drive, fully sealed assembly provides quiet operation with maximum power and long life. See figure 8.

## Anti-Tip Wheels

The anti-tip wheels are an integral and important safety feature of your scooter. Do not, under any circumstances, remove the anti-tip wheels from your scooter. See figure 8.



**WARNING! Do not remove the anti-tip wheels or modify your scooter in any way that is not authorized by Pride.**

## VI. BATTERIES AND CHARGING

Your scooter requires two long-lasting, 12-volt, deep-cycle batteries that are sealed and maintenance free. They are recharged by an onboard charging system.

- Charge your scooter's batteries prior to using it for the first time.
- Keep the batteries fully charged to keep your scooter running smoothly.

### READING YOUR BATTERY VOLTAGE

The battery condition meter on the control console assembly indicates the approximate strength of your batteries using a color code. Green indicates fully charged batteries, yellow a draining charge, and red indicates that an immediate recharge is necessary. See figure 9. To ensure the highest accuracy, the battery condition meter should be checked while operating your scooter at full speed on a dry, level surface.

You can also check the charge by the ammeter, located at the rear of the scooter near the charger power cord receptacle. The charger power cord must be plugged into a standard wall outlet in order to obtain a reading. When the amperage reading is at or near zero amps, charging is complete. See figure 10.

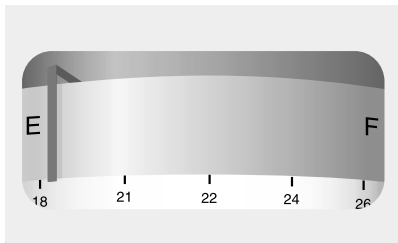


Figure 9. Battery Condition Meter

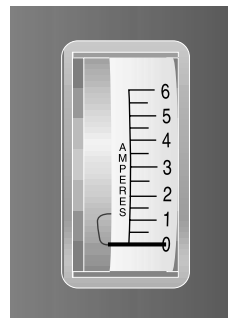


Figure 10. Ammeter Indicates Battery Is Fully Charged

### CHARGING YOUR BATTERIES



**WARNING! Never use an extension cord to plug in your battery charger. Plug the charger directly into a properly wired standard wall outlet.**

**WARNING! Removal of the grounding prong can create an electrical hazard. If necessary properly install an approved 3-prong adaptor to an electrical outlet having 2-pronged plug access. Failure to heed could result in personal injury and or property damage**

Follow these easy steps to charge your batteries safely:

1. Position your scooter close to a standard wall outlet.
2. Remove the key from the key switch.
3. Make certain that the freewheel lever is in the drive (down) position.
4. Plug the charger power cord into the charger power cord receptacle on your scooter.
5. Extend the charger power cord and plug it into the wall outlet. It is recommended that you charge your batteries for 8 to 14 hours.
6. When the batteries are fully charged, unplug the charger power cord from the wall outlet and then from the charger power cord receptacle.

*NOTE: There is a charger inhibit function on your scooter. The scooter will not run and the battery condition meter will not operate while the batteries are charging.*

# VI. BATTERIES AND CHARGING

## FREQUENTLY ASKED QUESTIONS (FAQS)

### How does the charger work?

When your scooter's battery voltage is low, the charger works harder, sending more electrical current to the batteries to bring up their charge. As the batteries approach a full charge, the charger sends less and less electrical current. When the batteries are fully charged, the current sent from the charger is at nearly zero amperage. Therefore, when the charger is plugged in, it maintains the charge on your scooter's batteries, but does not overcharge them. We do not recommend that you charge your scooter's batteries for more than 24 consecutive hours.

### What if my scooter's batteries won't charge?

- Ensure that the red (+) and black (-) battery cables are connected properly to the battery terminals.
- Ensure both battery harnesses that extend from the batteries are plugged into their mating harness leading to the charger.
- Ensure that both ends of the charger power cord are inserted fully.

### Can I use a different charger?

For the safest, most efficient, and balanced charging of your scooter's batteries, we prefer and highly recommend simultaneous charging of both batteries with the onboard battery charger.

### How often must I charge the batteries?

Two major factors must be considered when deciding how often to charge your scooter's batteries:

- All day scooter use on a daily basis.
- Infrequent or sporadic scooter use.

With these considerations in mind, you can determine how often and for how long you should charge your scooter's batteries. We designed the onboard charger so that it will not overcharge your scooter's batteries. However, you may encounter some problems if you do not charge your batteries often enough and if you do not charge them on a regular basis. Following the five guidelines below will provide safe and reliable battery operation and charging.

- If you use your scooter daily, charge its batteries as soon as you finish using it for the day. Your scooter will be ready each morning to give you a full day of service. We recommend that you charge your scooter's batteries for 8 to 14 hours after daily use.
- If you use your scooter once a week or less, charge its batteries at least once a week for 12 to 14 hours at a time.
- Keep your scooter's batteries fully charged.
- Avoid deeply discharging your scooter's batteries.

### How can I get maximum range or distance per charge?

Rarely will you have ideal driving conditions—smooth, flat, hard driving surfaces with no wind or curves. Often, you will face hills, sidewalk cracks, uneven and loosely packed surfaces, curves, and wind, all of which affect the distance or running time per battery charge. Below are a few suggestions for obtaining the maximum range per battery charge.

- Always fully charge your scooter's batteries prior to daily use.
- Maintain **30-35 psi** (pounds per square inch) in each tire.
- Plan your route ahead to avoid as many hills, cracked, broken, or soft surfaces as possible.
- Limit your baggage weight to essential items.
- Try to maintain an even speed while your scooter is in motion.
- Avoid stop-and-go driving.

## VI. BATTERIES AND CHARGING

### What type and size of battery should I use?

We recommend deep-cycle batteries that are sealed and maintenance free. Both AGM and Gel-Cell are deep-cycle batteries that are similar in performance. Do not use wet-cell batteries, which have removable caps.



**WARNING! Corrosive chemicals contained in batteries. Use only AGM or Gel-Cell batteries to reduce the risk of leakage or explosive conditions.**

*NOTE: Sealed batteries are not serviceable. Do not remove the caps.*

Use these specifications to reorder deep-cycle batteries:

Type: Deep-cycle (AGM or Gel-Cell)  
Size: U-1  
Voltage: 12-volts each  
Amperage: 32 AH (amp hours)

To change a battery in your scooter:



**WARNING! Battery posts, terminals, and related accessories contain lead and lead compounds. Wash hands after handling.**

1. Remove the seat and rear shroud. See IX. "Disassembly and Assembly."
2. Disconnect the battery tie-down strap.
3. Disconnect the battery harness.
4. Disconnect the battery cables from the battery terminals.
5. Remove the old battery.
6. Place a new battery in the battery well.
7. Connect the red battery cable to the positive (+) battery terminal.
8. Connect the black battery cable to the negative (-) battery terminal.
9. Reconnect the battery harness.
10. Reconnect the battery tie-down strap.
11. Reinstall the rear shroud and seat.

### Why do my new batteries seem weak?

Deep-cycle batteries employ a different chemical technology than that used in car batteries, nickel-cadmium batteries (nicads), and other common battery types. Deep-cycle batteries are specifically designed to provide power, drain down their charge, and then accept a relatively quick recharge.

We work closely with our battery manufacturer to provide batteries that best suit your scooter's specific electrical demands. Fresh batteries arrive daily at Pride and are shipped fully charged to our customers. During shipping, the batteries may encounter temperature extremes that can influence their initial performance. Heat diminishes the charge on the battery; cold slows the available power and extends the time needed to recharge the battery.

It may take a few days for the temperature of your scooter's batteries to stabilize and adjust to their new room or ambient temperature.

More importantly, it takes a few charging cycles (partial draining followed by full recharging) to establish the critical chemical balance that is essential to a deep-cycle battery's peak performance and long life.



## VI. BATTERIES AND CHARGING

Follow these steps to properly break-in your scooter's new batteries for maximum efficiency and service life.

1. Fully recharge any new battery prior to its initial use. This charging cycle brings the battery up to about 88% of its peak performance level.
2. Operate your new scooter in familiar and safe areas. Drive slowly at first, and do not travel too far from your home or familiar surroundings until you have become accustomed to your scooter's controls and have properly broken in your scooter's batteries.
3. Fully recharge the batteries. They should be at over 90% of their peak performance level.
4. Operate your scooter again.
5. Fully recharge the batteries again.
6. After four or five charging cycles, the batteries are able to receive a charge of 100% of their peak performance level and are able to last for an extended period of time.

### **How can I ensure maximum battery life?**

Fully charged deep-cycle batteries provide reliable performance and extended battery life. Keep your scooter's batteries fully charged whenever possible. Batteries that are regularly and deeply discharged, infrequently charged, or stored without a full charge may be permanently damaged, causing unreliable performance and limited service life.

### **What about public transportation?**

If you intend to use public transportation with your scooter, you must contact the transportation provider in advance to determine their specific requirements.

### **How should I store my scooter and its batteries?**

See XII. "Care and Maintenance".

# VII. OPERATION

## BEFORE GETTING ONTO YOUR SCOOTER

- Have you fully charged the batteries? See VI. “Batteries and Charging.”
- Is the manual freewheel lever in the drive (down) position? Never leave the manual freewheel lever pulled up unless you are manually pushing your scooter.

## GETTING ONTO YOUR SCOOTER

1. Make certain that the key is removed from the key switch.



**WARNING! Never attempt to board or exit your scooter without first removing the key from the key switch. This will prevent the scooter from moving if accidental throttle control lever contact is made.**

2. Stand at the side of your scooter.
3. Disengage the seat lock lever and rotate the seat until it is facing you.
4. Make certain that the seat is locked securely in position.
5. Position yourself comfortably and securely in the seat.
6. Disengage the seat lock lever and rotate the seat until you are facing forward.
7. Make certain that the seat is locked securely in position.
8. Make certain that your feet are safely on the floorboard.

## PRE-RIDE ADJUSTMENTS AND CHECKS

- Is the seat at the proper height? See VIII. “Comfort Adjustments.”
- Is the seat locked securely in place?
- Is the tiller at a comfortable setting and locked securely in place? See VIII. “Comfort Adjustments.”
- Is the key fully inserted into the key switch?
- Does the scooter’s horn work properly?
- Is your proposed path clear of people, pets, and obstacles?
- Have you planned your route to avoid adverse terrain and as many inclines as possible?

## OPERATING YOUR SCOOTER

Keep both hands on the tiller and your feet on the floorboard at all times while operating your scooter. This driving position gives you the most control over your vehicle.

- Set the speed adjustment dial to your desired speed.
- Press your thumb against the appropriate throttle control lever.
- The electromechanical disc park brake automatically disengages and the scooter accelerates smoothly to the speed you preselected with the speed adjustment dial.
- Pull on the left handgrip to steer your scooter to the left.
- Pull on the right handgrip to steer your scooter to the right.
- Move the tiller to the center position to drive straight ahead.
- To stop, slowly release the throttle control lever. The electronic brakes will automatically engage when your scooter comes to a stop.

*NOTE: Your scooter’s reverse speed is slower than that of the forward speed you preset with the speed adjustment dial.*

## VII. OPERATION

### GETTING OFF OF YOUR SCOOTER

1. Bring your scooter to a complete stop.
2. **Remove the key from the key switch.**
3. Disengage the seat lock lever and rotate the seat until you are facing toward the side of your scooter.
4. Make certain that the seat is locked securely in position.
5. Carefully and safely get out of the seat and stand to the side of your scooter.
6. You can leave the seat facing to the side to facilitate boarding your scooter next time.

### POWER DOWN TIMER FEATURE

Your scooter is equipped with an energy saving auto power down timer feature designed to preserve your scooter's battery life. If you mistakenly leave the key in the key switch and in the "on" position but do not use your scooter for approximately 20 minutes, the scooter's controller shuts down automatically. Although the controller is shut down, power will still be supplied to the scooter's lighting system.

If the power down timer feature takes effect, perform the following steps to resume normal operation.

1. Remove the key from the key switch.
2. Reinsert the key and power up your scooter.

# VIII. COMFORT ADJUSTMENTS

## TILLER ANGLE ADJUSTMENT



**WARNING! Remove the key from the key switch before adjusting the tiller or the seat. Never attempt to adjust the tiller or the seat while the scooter is in motion.**

You can adjust the tiller to many positions. The tiller adjustment lever locks the tiller in place. It has a spring-loaded mechanism that enables you to rotate it and change its position.

1. Turn the tiller adjustment lever counterclockwise until it is loose. If the tiller adjustment lever comes in contact with the tiller basket, pull it outward, turn it clockwise, and release it. Continue to loosen until the tiller is able to move. See figures 11 and 11A.
2. Move the tiller to a comfortable position.
3. Turn the tiller adjustment lever clockwise until it is tight. If the tiller adjustment lever comes in contact with the tiller basket, pull it outward, turn it counterclockwise, and release it. Continue to turn the lever until it is tight. The tiller may be lowered to the center of the floorboard and locked in place for storage.

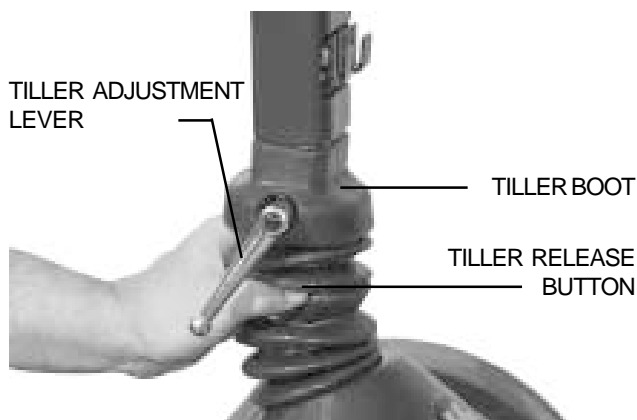


Figure 11. Adjusting The Tiller Angle

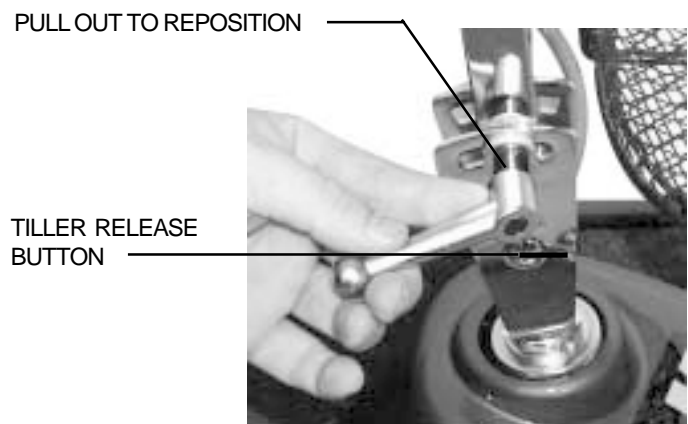


Figure 11a. Reposition Tiller Adjustment Lever (Tiller Boot Removed For Clarity)

## SEAT HEIGHT ADJUSTMENT

The seat can be repositioned to one of three different heights. See figure 12.

1. Remove the seat from your scooter. See IX. “Disassembly and Assembly.”
2. Use the attached ring to pull and remove the ball detent pin from the lower seat post.
3. Raise or lower the upper seat post to the desired seat height.
4. While holding the upper seat post at that height, match up the holes in the upper seat post and the lower seat post.
5. Fully insert the ball detent pin.
6. Replace the seat.

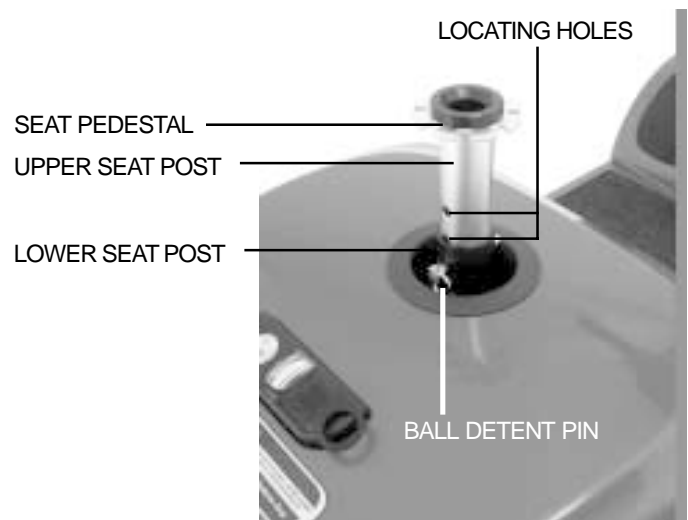


Figure 12. Seat Height Adjustment

# VIII. COMFORT ADJUSTMENTS

## FRONT-TO-BACK SEAT ADJUSTMENT

You can reposition the scooter's seat forward or rearward to one of three settings to adjust the distance between the seat and the tiller. See figure 13.

1. Remove the seat from your scooter. See IX. "Disassembly and Assembly."
2. Remove the four bolts that fasten the seat to the seat platform.
3. Align the seat platform with the desired set of holes on the seat.
4. Install the four bolts securely.

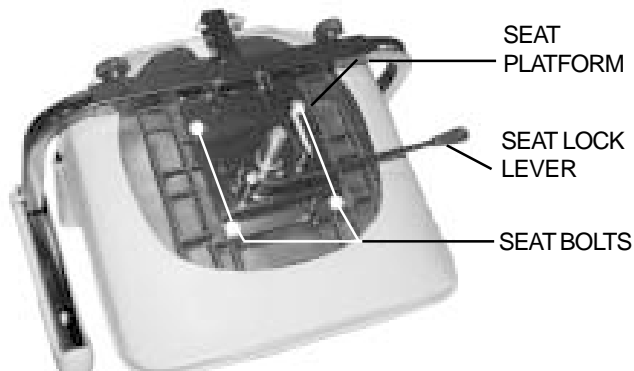


Figure 13. Front-to-Back Seat Adjustment

## ARMREST WIDTH ADJUSTMENT

The armrest width of your scooter can be adjusted inward or outward. See figure 14.

1. Loosen the thumbscrews at the back of the seat frame.
2. Slide the armrests in or out to the desired width.
3. Tighten the thumbscrews.

The armrests also pivot upward to make getting onto and off of your scooter easier.

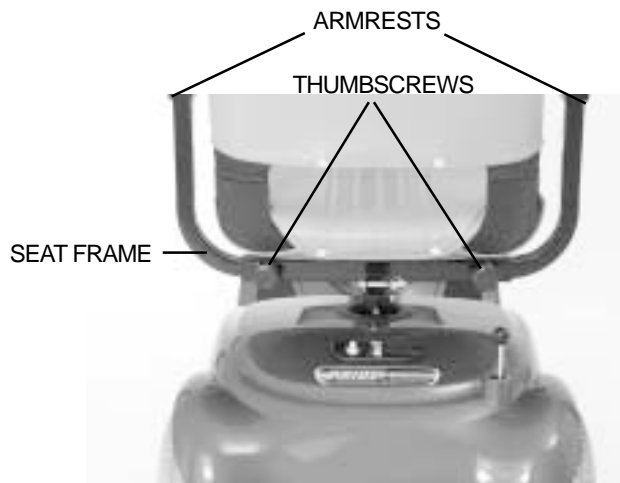


Figure 14. Armrest Width Adjustment

## SEAT LOCK LEVER

The seat lock lever locks the seat in one of five positions. See figure 15.

1. Push the seat lock lever forward to unlock the seat.
2. Rotate the seat to the desired position.
3. Release the seat lock lever to lock the seat securely in place.



Figure 15. Seat Lock Lever

# IX. DISASSEMBLY AND ASSEMBLY

The Victory requires no tools for disassembly. Always disassemble or assemble your scooter on a level, dry surface with sufficient room for you to work and move around your scooter. Keep in mind that the disassembled sections of the scooter will take up more floor space than the assembled scooter.

## DISASSEMBLY



**WARNING! Lifting weight beyond your physical capability may result in personal injury. Ask for assistance when necessary while disassembling or assembling your scooter.**

1. Remove the key from the key switch. See V. “Your Victory.”
2. Push down on the manual freewheel lever. See V. “Your Victory.” Putting your scooter in drive mode may make it easier for you to maneuver the rear section because the drive wheels are stabilized.
3. Make certain that the seat is locked into position. See VIII. “Comfort Adjustments.” Lift the seat up and off of your scooter.
4. Gently lift the rear shroud off of your scooter. The rear shroud is held in place with a reusable fastener.
5. Unplug both battery harnesses. See figure 16.
6. Loosen the battery straps, then lift both batteries from the battery wells.
7. Unplug the large, white, 9-pin front-to-rear connector that attaches the front control console assembly harness to the electronic controller module harness. See figure 17.



**WARNING! Failing to unplug both battery harnesses and the front-to-rear connector prior to further disassembly could result in permanent damage to your scooter.**

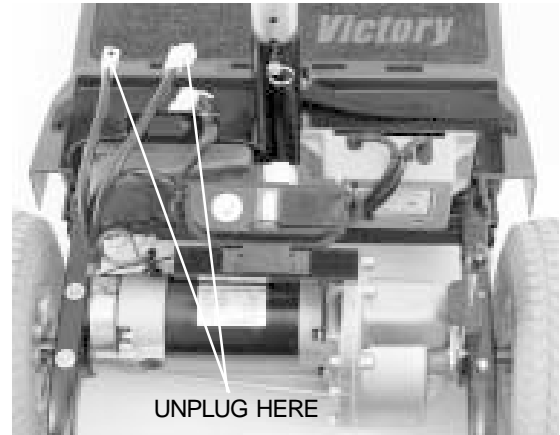


Figure 16. Battery Harnesses

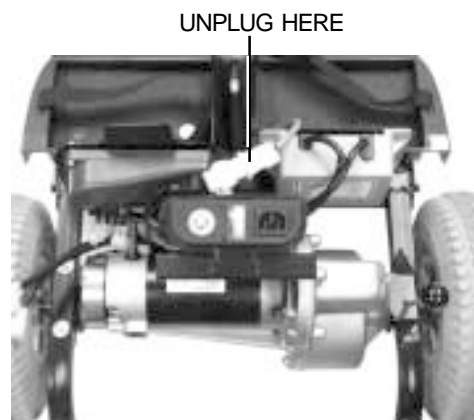


Figure 17. Front-To-Rear Connector

## Toggle Latch Release

1. Push in the toggle latch release button while pulling back the toggle latch. See figure 18.
2. Position the toggle latch buckle over the top of the toggle latch. See figure 19.
3. Lower the tiller to the scooter floorboard and fully tighten the tiller adjustment lever.

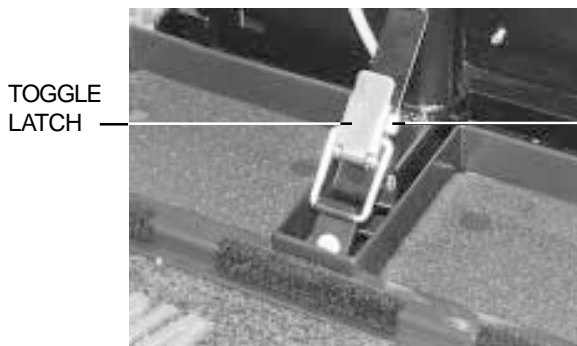


Figure 18. Toggle Latch (Latched)

TOGGLE  
LATCH  
RELEASE  
BUTTON

TOGGLE  
LATCH  
BUCKLE



Figure 19. Toggle Latch (Unlatched)

# IX. DISASSEMBLY AND ASSEMBLY

## Frame Separation

1. Push back on the seat post to pivot the scooter's rear section backwards until the rear section is standing vertically on its rear bumper. See figure 20.
2. Lift the front section up until the lower pegs are no longer in the slots. See figure 21.
3. Carefully lift the front section vertically away from the rear section.

## ASSEMBLY

1. Position the front and rear sections of your scooter as shown in figure 22.
2. Align the lower slots of the front section with the corresponding pegs on the front of the rear section. See figure 21.



**WARNING! Position the front-to-rear cable so it won't become pinched between the frame halves when pivoting the rear section forward.**

3. Holding the seat post, slowly pivot the rear section forward until the curved locking brackets are fully connected onto the top rear pegs. See figure 20.
4. Raise the tiller.
5. Secure the toggle latch. See figure 18.
  - Lower the toggle latch buckle.
  - Push back on the toggle latch so it locks into place.
6. Connect the front-to-rear cable and both battery harnesses.
7. Replace the rear shroud.
8. Replace the seat.

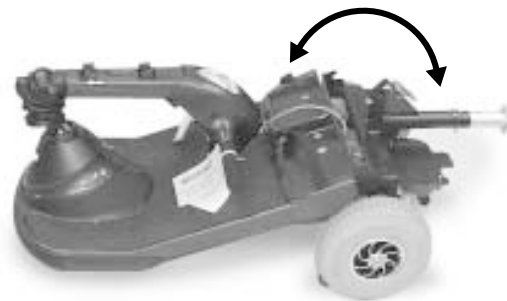


Figure 20. Frame Positioning

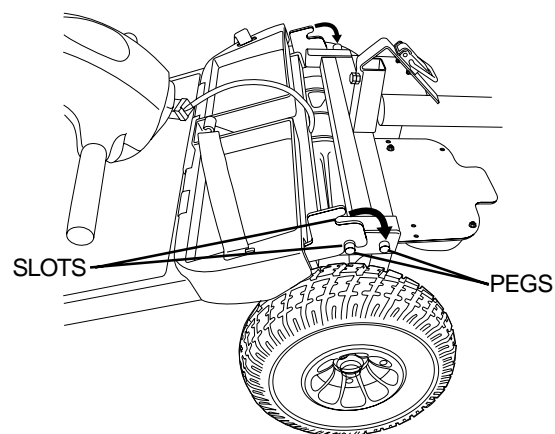


Figure 21. Frame Lockup



Figure 22. Frame Halves

# X. OPTIONAL ACCESSORIES

For information concerning these optional accessories, contact your authorized Pride Provider.



Single Cane/Crutch Holder



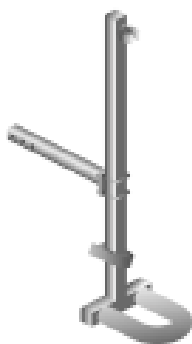
Double Cane/Crutch Holder



Walker Holder



Forearm Crutch Holder



Quad Cane Holder



Oxygen Tank Holder



Front Basket



Safety Flag



Rear Basket



Taillight



Cup Holder



# XI. BASIC TROUBLESHOOTING

Any electromechanical device occasionally requires some troubleshooting. However, most of the problems that may arise can usually be solved with a bit of thought and common sense. Many of these problems occur because the batteries are not fully charged or because the batteries are worn down and can no longer hold a charge.

## **What if all the systems on my Victory seem to be “dead”?**

- Make certain that the key is fully inserted in the key switch.
- Ensure that the batteries are fully charged. See VI. “Batteries and Charging.”
- Push in the reset button to reset the main circuit breaker. See V. “Your Victory.”
- Make certain that both battery harnesses are firmly connected.
- Make certain that the battery cables are securely connected to the battery terminals.
- Make sure that the front-to-rear harness is firmly connected. See IX. “Disassembly and Assembly.”
- Remove and reinsert the key.

## **What if the Victory does not move?**

- Your scooter was probably left in freewheel mode. When the manual freewheel lever is pulled up, the brakes are disengaged and all power to the transaxle is cut.
- Push down the manual freewheel lever to restore normal operation to your scooter. See V. “Your Victory.”

## **What if the main circuit breaker repeatedly trips? See V. “Your Victory.”**

- Charge the scooter’s batteries more frequently. See VI. “Batteries and Charging.”
- If the problem continues, have both of your scooter’s batteries load tested by your authorized Pride Provider.
- Or, load test the batteries yourself. Load testers are available at most automotive parts stores. Follow the directions supplied with the load tester. See VI. “Batteries and Charging” or IV. “Specifications” for information about your scooter’s battery type.

## **What if the battery condition meter dips way down and the motor surges or hesitates when I press the throttle control lever? See V. “Your Victory.”**

- Fully charge your scooter’s batteries. See VI. “Batteries and Charging.”
- Have your authorized Pride Provider load test each battery.

If you experience any problems with your scooter that you are not able to handle, immediately contact your authorized Pride Provider for information, maintenance, and service.

## XII. CARE AND MAINTENANCE

Your scooter requires a minimal amount of care and maintenance. If you do not feel confident in your ability to perform the maintenance listed below, you may schedule inspection and maintenance at your authorized Pride Provider. The following areas require periodic inspection and/or care and maintenance.

### TIRE PRESSURE

- If equipped with pneumatic tires, always maintain a proper **30-35 psi** tire pressure.



**WARNING! It is important that 30-35 psi tire pressure be maintained in pneumatic tires at all times. Do not underinflate or overinflate your tires. Low pressure may result in loss of control, and overinflated tires may burst. Failure to maintain 30-35 psi tire pressure in pneumatic tires at all times may result in tire and/or wheel failure, causing serious personal injury and/or damage to your scooter.**

- Regularly inspect your scooter's tires for signs of wear.

### EXTERIOR SURFACES

Bumpers, tires, trim, and the tiller boot can benefit from an occasional application of rubber or vinyl conditioner.



**WARNING! Do not use a rubber or vinyl conditioner on the scooter's vinyl seat, floorboard, or tire tread. They will become dangerously slippery and result in personal injury and/or damage to your scooter.**

### REMOVABLE FLOOR MAT

- Your scooter's carpet floor mat is held in place with reusable fasteners. It can be removed, cleaned, and reinstalled as necessary.

### BATTERY TERMINAL CONNECTIONS

- Make certain that the terminal connections remain tight and uncorroded.
- The batteries must sit flat in the battery wells.
- The battery terminals should face the rear of the scooter.

### WIRING HARNESSES

- Regularly check all wiring connections.
- Regularly check all wiring insulation, including the charger power cord, for wear or damage.
- Have your authorized Pride Provider repair or replace any damaged connector, connection, or insulation that you find before using your scooter again.

### ABS PLASTIC SHROUDS

- The front tiller shroud, front shroud, and the rear shroud are formed from durable ABS plastic and are coated with an advanced formula urethane paint.
- A light application of car wax will help the shrouds retain their high gloss.

### AXLE BEARINGS AND THE MOTOR/TRANSAXLE ASSEMBLY

These items are all prelubricated, sealed, and require no subsequent lubrication.

### MOTOR BRUSHES

The motor brushes are housed inside of the motor transaxle/assembly. They should be inspected periodically for wear by your authorized Pride Provider.

## XII. CARE AND MAINTENANCE

### CONSOLE, CHARGER, AND REAR ELECTRONICS

- Keep these areas free of moisture.
- Allow these areas to dry thoroughly if they have been exposed to moisture before operating your scooter again.

### STORING YOUR SCOOTER

If you plan on not using your scooter for an extended period of time, it is best to:

- Fully charge its batteries prior to storage.
- Disconnect the batteries from the scooter.
- Store your scooter in a warm, dry environment.
- Avoid storing your scooter where it will be exposed to temperature extremes.



**WARNING! Always protect batteries from freezing temperatures and never charge a frozen battery. This damages the battery and can cause personal injury.**

For prolonged storage, you may wish to place several boards under the frame of your scooter to raise it off of the ground. This takes the weight off the tires and reduces the possibility of flat spots developing on the areas of the tires contacting the ground.

# XIII. WARRANTY

## THREE-YEAR LIMITED WARRANTY

Three years on all structural frame components; including platform, fork, seat post, and frame.

Three-year prorata drive train warranty; including transaxle, motor, and brake.

- First year: 100% replacement of parts cost
- Second year: 67% replacement of parts cost
- Third year: 50% replacement of parts cost

## THREE-YEAR WARRANTY EXCEPTIONS

**Transaxle:** In cases where there is an increase in the operational noise level, the warranty does not apply. (The increase in operational noise level usually occurs due to abusive and excessive strain on the scooter.)

**Motor brake:** Three-year warranty for the electrical function of the motor brake. Brake pads are a wear item and are not warranted.

## ONE-YEAR LIMITED WARRANTY

For one (1) year from the date of purchase, Pride will repair or replace at our option to the original purchaser, free of charge, any part or electronic component found upon examination by an authorized representative of Pride to be defective in material and/or workmanship.

The battery is warranted by the battery manufacturer. The battery is not warranted by Pride.

Warranty service can be performed by Pride or by an authorized Pride Provider. Do not return faulty parts to Pride without prior consent. All transportation costs and shipping damage incurred while submitting parts for repair or replacement are the responsibility of the original purchaser.

## WARRANTY EXCLUSIONS

- ABS plastic shrouds and footrest covers (wear items and not warranted)
- Batteries (the battery manufacturer provides a six-month limited warranty)
- Tires and tire tubes (wear items and not warranted)
- Upholstery and seating (wear items and not warranted)
- Repairs and/or modifications made to any part of the Victory without specific and prior consent from Pride
- Circumstances beyond the control of Pride
- Damage caused by: battery fluid spillage or leakage, abuse, misuse, accident, or negligence, improper operation, maintenance, or storage, commercial use or use other than normal
- Labor, service calls, shipping, and other charges incurred for repair of the product

There is no other express warranty.

Implied warranties, including those of merchantability and fitness for a particular purpose, are limited to one (1) year from the date of original purchase and to the extent permitted by law. Any and all implied warranties are excluded. This is the exclusive remedy. Liabilities for consequential damages under any and all warranties are excluded.

Some states do not allow limitations on how long an implied warranty lasts or do not allow the exclusion of limitation of incidental or consequential damages. So, the above limitation or exclusion may not apply to you.



**Pride**  
Mobility Products Corp.

**182 Susquehanna Ave.  
Exeter, PA 18643**

**1-800-800-8586**

**[www.pridemobility.com](http://www.pridemobility.com)**