

# QUICKIE®



## Freestyle™ M11 & F11

C. G. Tilt

### *User Instruction Manual & Warranty*

SUPPLIER: THIS MANUAL MUST BE GIVEN TO THE RIDER OF THIS WHEELCHAIR.

RIDER: BEFORE USING THIS WHEELCHAIR READ THIS ENTIRE MANUAL AND SAVE FOR FUTURE REFERENCE.

## Freestyle™ M11 & F11

C. G. Tilt

### *Mode d'emploi et garantie*

FOURNISSEUR: CE MANUEL DOIT ÊTRE REMIS À L'UTILISATEUR / UTILISATRICE DE CE FAUTEUIL ROULANT.

UTILISATEUR / UTILISATRICE : AVANT D'UTILISER CE FAUTEUIL ROULANT, LISEZ ENTièrement CE MANUEL ET CONSERVEZ LE POUR LE CONSULTER ULTÉRIEUREMENT.

## Freestyle™ M11 & F11

C. G. Tilt

### *Manual de Instrucciones y Garantía para el Usuario*

DISTRIBUIDOR: ESTE MANUAL DEBE SER ENTREGADO AL PASAJERO DE ESTA SILLA DE RUEDAS.

PASAJERO: ANTES DE USAR ESTA SILLA DE RUEDAS, LEA ESTE MANUAL EN SU TOTALIDAD Y GUÁRDELO PARA FUTURA REFERENCIA.

## I. INTRODUCTION

**NOTE:** This supplement contains information on the operation and adjustments for the Integrated C.G.Tilt System of a Quickie Freestyle M11 & F11 wheelchair ONLY. Please refer to the Quickie Freestyle M11 & F11 User Instruction Manual for additional notices; EMI information; warnings; tips for attendants; set-up, adjustment and use information; operating guide; battery and maintenance information; wiring diagrams and warranty information regarding the Quickie Freestyle M11 & F11.

### SUNRISE MEDICAL

Customer Service Department

7477 East Dry Creek Parkway

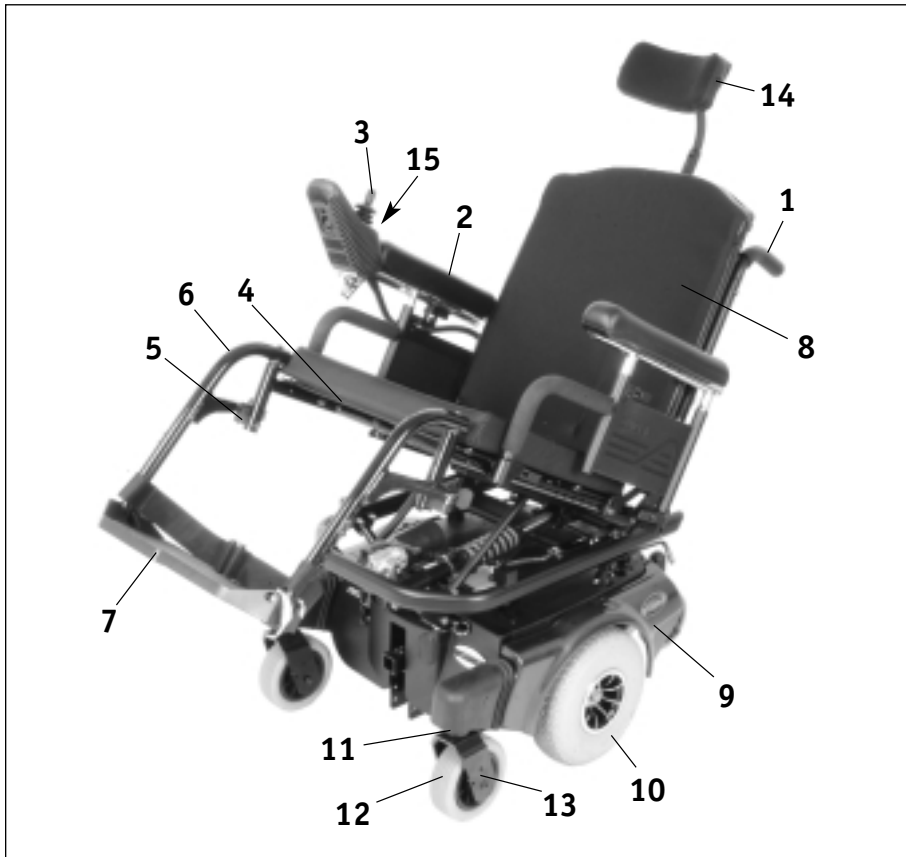
Longmont, Colorado 80503

(303) 218-4500 or (800) 333-4000

**II. TABLE OF CONTENTS**

<b>I. INTRODUCTION NOTE</b> .....	2
<b>II. TABLE OF CONTENTS</b> .....	3
<b>III. YOUR CHAIR AND ITS PARTS</b> .....	4
<b>IV. WARNINGS</b> .....	5
A. Solid Seat Back .....	5
B. Driving .....	5
C. Tilting .....	5
D. Changes & Adjustments .....	5
E. Locking Pins .....	5
<b>V. SET UP, ADJUSTMENT &amp; USE</b> .....	6
Tools You Will Need .....	6
A. Battery Removal .....	6
B. Solid Seat Back & Lateral Thoracic Supports .....	6
C. Headrest .....	7
D. Foam Back .....	7
E. Seat Tilt Adjustments & Drive Lock-out .....	7
F. Seat Removal .....	7
G. Seat Depth .....	7
H. Backrest Angle Adjustment .....	8
I. Seat Height Adjustment .....	8
J. TM40 Single or Dual Switch Actuator Controller .....	8
K. Check-Out .....	9
<b>VI. OPERATING GUIDE</b> .....	10
A. Toggle Switch Activation .....	10
B. Single Switch Activation .....	10
C. Integral Joystick Activation .....	10
D. Remote Joystick Activation .....	10
<b>VII. MAINTENANCE &amp; TROUBLESHOOTING TIPS</b> .....	11
A. Maintenance .....	11
B. Troubleshooting Tips .....	11
<b>VIII. WIRING DIAGRAMS</b> .....	12
<b>IX. SUNRISE LIMITED WARRANTY</b> .....	13

### III. YOUR CHAIR AND ITS PARTS



Mini (M11)

1. Push Handle
2. Dual Post, Height-Adjustable Armrest
3. VSI control
4. Seat Pan
5. Swing-Away Footrest Latch Plate
6. Swing-Away Footrest Hanger
7. Angle-Adjustable Footplate
8. Seat Back
9. Shroud
10. M11: 10" Drive Wheels  
F11: 14" Drive Wheels
11. Caster Housing
12. 6" Solid Casters
13. Caster Fork
14. Headrest
15. Tilt Toggle Switch (not shown)

### QUICKIE FREESTYLE C.G. TILT

#### Weight

F11: 178.5 lbs    M11: 194.5 lbs  
with swing-away footrests and without  
batteries

#### Drive Wheels

F11: 14" x 3"    M11: 10" x 3"

#### Tire types

Standard - pneumatic  
Option - airless insert, solid

#### Joystick

Standard - integral (right-hand or left-  
hand mount)  
Option - remote (left-hand or  
right-hand mount)  
Option - swing-away retractable joystick

#### Batteries

(2 batteries required to operate chair)  
F11: Option - GP 24 deep cycle gel,  
22 NF deep cycle gel  
M11: Option - 40 Ahr AGM  
U1 deep cycle gel

#### Battery Charger

Standard - on-board charger  
Option - off board charger

#### Colors

Refer to current order form

#### Chair Parts

Standard - black

#### Seat Frame Dimensions

Seat Frame width: standard - 14"-20"  
Seat depth: 14"-20" adjustable  
Solid seat back  
Aluminum seat pan  
Optional cushions: Jay® Cushions

#### CG Tilt

0° - 50°  
3° - 53°

#### Backrest

Standard - Non-folding: 15" - 20"  
Straight Backpost - standard

#### Footrest

Standard - Swing-away with angle-  
adjustable footplates  
and heel loops  
Option - elevating legrests  
and multiposition

#### Casters

Standard - 6" solid

#### Armrests

Standard - dual post flip back  
Option - height-adjustable dual post or  
single post with desk or full length  
waterfall pads or standard armpads

#### Swing-Away Lateral Thoracic Supports

Option - Curved  
Option - Straight

#### Headrest

Standard - 8" x 4.5" or 9" x 4.5" head-  
rest pad

All features may not be available with  
some chair setups or in conjunction with  
another chair feature. Please consult your  
supplier for more information. Your autho-  
rized supplier can also provide you with  
more information on accessories.

## IV. WARNINGS

### A. SOLID SEAT BACK

#### **⚠ WARNING**

Do not use the Solid Seat Back to push or lift the wheelchair. Improper use may cause the back to unexpectedly detach from the wheelchair.

### B. DRIVING

#### **⚠ WARNING**

You should drive your chair with the tilt at the minimum angle.

### C. TILTING

#### **⚠ WARNING**

To prevent damage and personal injury, avoid tilting near objects such as walls, tables or chairs. To avoid injury, ensure other people, especially children, are clear of the system. If using a swing-away abductor, be sure not to tilt with the abductor swung away. Otherwise, the abductor may collide with the tilt actuator when returning to the untilted position.

### D. CHANGES & ADJUSTMENTS

#### **⚠ WARNING**

Never use non-Quickie parts or make changes to your chair unless authorized by Sunrise. (Doing so will void the warranty and may create a safety hazard.)

1. If you modify or adjust this chair it may increase the risk of fall or tip-over.
2. Modifications unauthorized by Sunrise constitutes remanufacturing of the wheelchair. This voids the warranty. The rider then assumes all future liability for the wheelchair.

### E. LOCKING PINS

#### **⚠ WARNING**

Never use or operate this device without the use of all locking pin devices.

## V. SET-UP, ADJUSTMENT & USE

### TOOLS YOU WILL NEED

#### 1. Basic Tool Kit:

To set up, adjust and maintain your chair you will need the following tools:

- 5/32" Allen wrench
- 3/16" Allen wrench
- 5/16" Allen wrench
- 9/16" box and open-end wrench
- 1/2" box and open-end wrench
- Phillips screwdriver #1
- Standard slot screwdriver

**NOTE**– Setting the wheelchair on a flat surface, such as a table or a workbench, helps make these procedures easier.

#### A. BATTERY REMOVAL (Figures 1, 2 & 3)

To remove the batteries for transporting or servicing:

1. Remove seat by removing the release pin and then pulling the two release mechanisms inward. Then slide the chair forward and lift off.
2. Remove battery access panel by inserting a flat head screw driver between the panel and main shroud toward the back of the panel at the word "open".
3. Push the screw driver forward until the panel lifts off.
4. Unplug and remove batteries from rear of chair.
5. Lift up batteries by lifting up on battery straps.

#### **⚠ WARNING**

**Batteries may weigh up to 55 lbs. Care must be taken to avoid injury when lifting up on battery straps.**

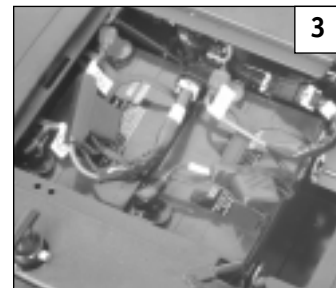
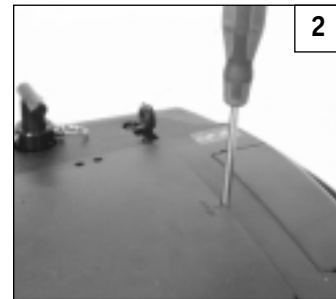
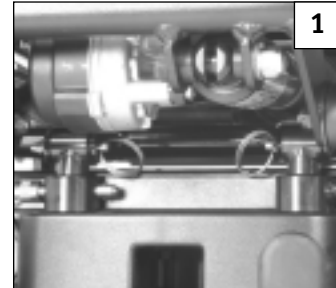
#### B. SOLID SEAT BACK & LATERAL THORACIC SUPPORTS

1. To adjust the height of the lateral support mount, loosen the adjustment screw until the receiver slides freely on the back posts. Tighten the adjustment screw when the proper height is determined.
2. Assess and fit the lateral thoracic supports. Assess client for proper positioning of the lateral thoracic supports. Each support is independent and may be adjusted for your client's clinical need.

#### **⚠ WARNING**

**A minimum of 1" (2.5 cm) of clearance should exist between the top of the lateral support and the user's arm pit.**

- a. To adjust the height, angle or width of the lateral thoracic support pads, loosen the top bolts and slide to correct width. Tighten bolt to bolt plate. If more adjustment is necessary, loosen the internally mounted bolts, and slide in the track to the desired height and width. The angle is obtained by tilting the bracket as needed. Tighten the bolts.
- b. To adjust the depth of the lateral thoracic pads, turn the middle bracket so that the slots are on side. Adjust to desired depth. Re-tighten the bolts.

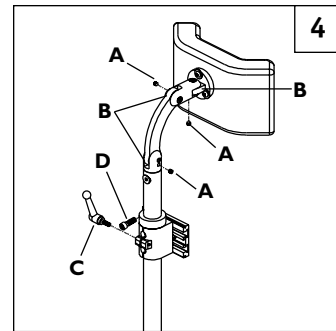


**C. HEADREST** (Figure 4)**1. Mounting a Headrest.**

The Solid Seat Back has a headrest plate mounted to it. Care should be taken to use the proper screw length when mounting.

**2. Positioning the Headrest**

- To position the headrest use the double clamp and the collar clamp (B,C,D) to obtain the proper height and distance.
- For clamp B use a 3/32 Allen set screw (A) and a 3/16 Allen cap screw. Clamp B positions the headrest forward and aft. However, due to the vertical movement of this adjustment, collar clamp D will have to be moved in conjunction.
- Retighten both the 3/16 Allen and the set screws (A) with a 3/32 Allen wrench.

**D. FOAM BACK**

Secure the foam and cover to the shell.

To secure the back foam and cover on the Solid Seat Back, slide the top edge of the cover over the top lip of the shell. Press the back in place against the shell.

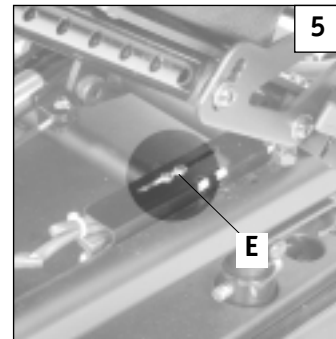
**E. SEAT TILT ADJUSTMENTS & DRIVE LOCK-OUT** (Figure 5)**1. Maximum Tilt Angle**

Maximum tilt angle can be adjusted to a limit of 50°.

- Loosen and remove switch fasteners (E).
- The switch can be positioned forward and aft within slot in order to fine tune the maximum tilt angle. Forward positions increase tilt angles. Aft position remove tilt angles.
- Tighten the switch fasteners at desired maximum tilt angle

**2. Drive Lock out Angle**

The Drive Lock-out angle is fixed and is set at 15°±3°

**F. SEAT REMOVAL** (Figure 6)**1. Remove Seat**

- Removal is most easily done when the seat is tilted at or above 40°.
- Remove safety lock pin (F).
- Flip seat back and remove with a slight forward motion.

**⚠ WARNING**

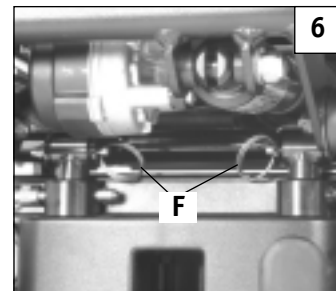
**It is recommended that two people perform this operation. The seat is heavy and can be large depending on seat size.**

**2. Replace Seat**

- Position rear of seat on docking mount.
- Rotate seat forward until latches lock the seat in place.
- Replace the safety lock pin (F) under release lever and position both rear latch knobs outward and tighten.

**⚠ WARNING**

**Always replace the latching lock pins to prevent inadvertent release of the seat.**

**G. SEAT DEPTH** (Figure 7)

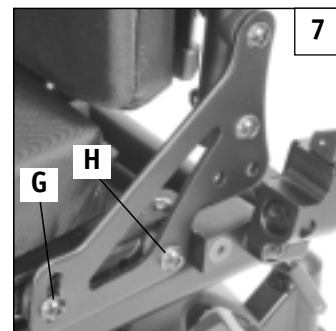
The seat depth can be adjusted in one inch increments.

**1. Seat Frame Depth Adjustment**

- To adjust, remove the two bolts (G & H) from each side of the backrest pivot plate.
- Reposition the backrest to the desired position.

**NOTE-** Substitute Bolt (H) with rear back rest pivot plate bolt (G) for 18" seat depth.

- Replace and retighten bolts on each side of the backrest pivot plate.



**H. BACKREST ANGLE ADJUSTMENT** (Figure 8)

A backrest angle adjustment is standard.

**Adjustment on Seat Frame**

1. Remove the front securing bolt (A) on the side of the backrest hinge plate.
2. Loosen the lower rear bolt (B).
3. Set at desired angle. There are four holes (in 4° increments) to choose from.
4. Reinstall the front bolt and tighten both bolts securely.

**I. SEAT HEIGHT ADJUSTMENT** (Figures 9 & 10)

The seat height can be adjusted from 17.5" - 21.5" (M11) and 19" - 23" (F11) at 1" increments.

1. Remove the seat.
2. Reposition all four of the seat mounts (C) to desired position by removing pins (D), adjusting mounts and replacing pins.
3. Ensure that the top of all seat mounts sit at the same height (except as noted below).
4. Replace seat.

**NOTE**– 1" of seat angle can be set by lowering the rear post two hole positions.

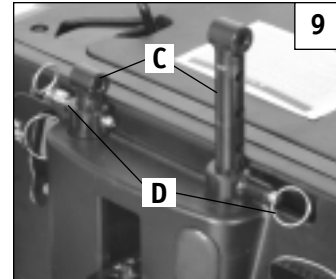
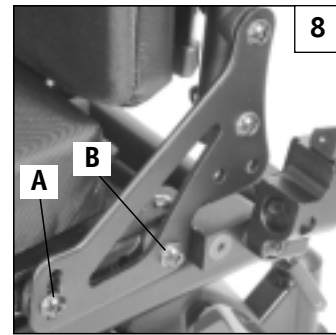
**⚠ WARNING**

**In all configurations of seat height and fixed tilt angles, ensure that both the front and rear latches (2) are all properly engaged.**

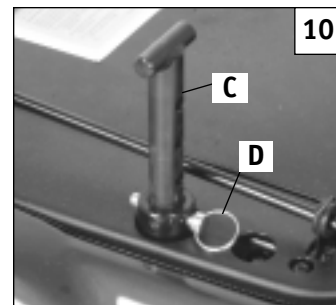
**J. TM40 SINGLE OR DUAL SWITCH ACTUATOR CONTROLLER** (Figure 11)

The TM40 actuator controller can be used to activate the tilt mechanism with either single or dual switch controls.

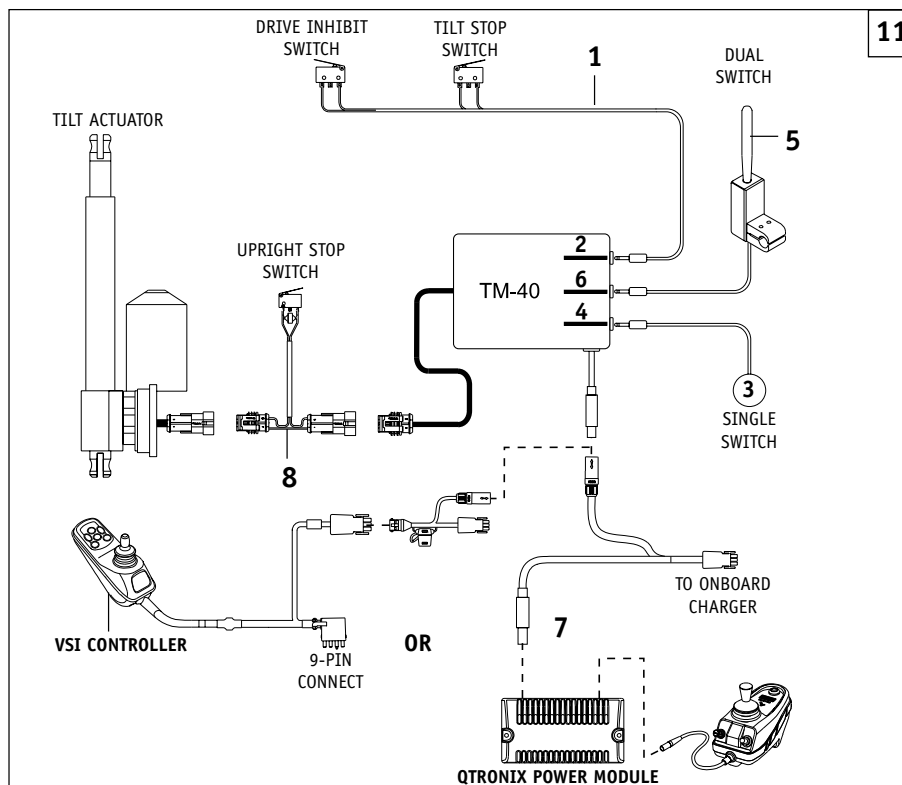
1. Plug limit switch harness assembly (1) into TM40 limit switch jack (2).
2. Plug single switch (3) into TM40 single switch jack (4) OR plug dual switch (5) into TM40 dual switch jack (6).
3. Plug TM40 into the QTRONIX Power Module (7).
4. Use mating plugs (8) to connect the TM40 to the tilt actuator.



Front Mounts



Rear Mounts





**K. CHECK-OUT**

Once the tilt assembly is adjusted, it should actuate smoothly and easily.

All accessories should also perform smoothly.

1. Verify seat can achieve full tilt and will return to neutral.
2. Verify the motor cuts out once the neutral position is reached.
3. Verify no debris is interfering with the glide bearings.
4. Verify all hardware is securely tightened.
5. Verify that the drive lock-out switch is positioned to prevent drawing if the system is tilted to an angle of greater than 15°.
6. Verify that the safety lock pin and rear securement knobs are in place.

** WARNING**

**If the actuator stop switches are not properly adjusted, the actuator will current limit or “stall” at the end of the stroke. Repeated “stall” conditions will shorten the life of the actuator.**

## VI. OPERATING GUIDE

### A. TOGGLE SWITCH ACTIVATION (Figure 1)

1. To operate, push the toggle switch (A) forward (to tilt back) or pull toggle backward (to return to neutral) until tilted into the desired position.
2. The toggle switch will return to neutral when released and the seating system will stop moving.

### B. SINGLE SWITCH ACTIVATION

1. Depress and hold single switch to tilt back into the desired position.
2. Depress and hold single switch to return to neutral until tilted into the desired position.

### C. INTEGRAL JOYSTICK ACTIVATION (OPTIONAL) (Figure 2)

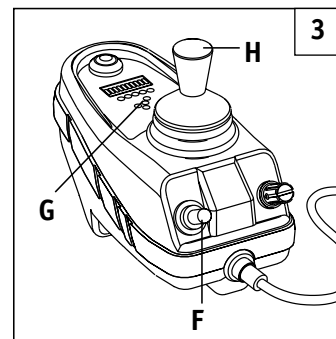
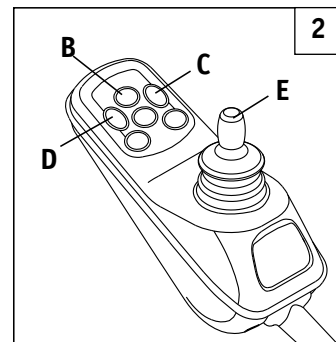
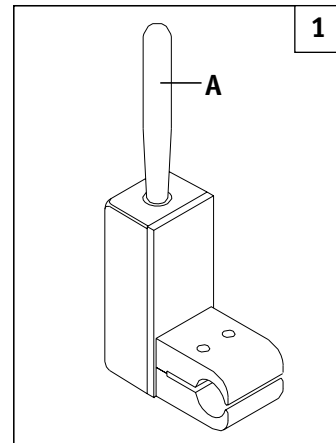
From the "off" position:

1. Push the on/off button (B) once to turn the chair on.
2. Push either tilt button (C or D) to activate tilt mode.
3. Push forward on joystick (E) to tilt back.
4. Pull backward on joystick (E) to tilt forward.
5. Push either tilt button (C or D) to deactivate and resume drive mode.

### D. REMOTE JOYSTICK ACTIVATION (OPTIONAL) (Figure 3)

From the "off" position

1. Push the on/off mode select toggle switch (F) down once to turn the chair "on".
2. Push the on/off mode select toggle switch (F) up twice to move index to tilt mode (noted by two (2) actuator lights (G)).
3. Push the joystick (H) forward to tilt backward or backward to tilt forward.
4. Push the on/off mode select toggle switch (F) up once to return to drive mode.



**VII. MAINTENANCE & TROUBLESHOOTING**

**A. MAINTENANCE**

You should check the items on this chart at the indicated intervals. If any of the items are loose, worn, bent or distorted, immediately have them checked and/or repaired by your authorized Sunrise supplier. Frequent maintenance and servicing will improve performance and extend wheelchair life.

**NOTE-** Check weekly, and use a clean, dry cloth or compressed air as needed to keep glide bearings free of debris.

Daily	Weekly	Monthly	Quarterly	Annually	CHECK...
✓					Charge batteries
	✓				Glide bearings free of debris
	✓				Check tires for proper inflation level
	✓				Check batteries for proper electrolyte level (wet cell only)
		✓			Check plugs and connectors for proper connections
			✓		Check all moving parts for wear
			✓		Inspect all nuts, bolts and fasteners for looseness or wear
			✓		Inspect upholstery for wear
			✓		Remove and inspect motor brushes
			✓		Check front mount bolts for looseness
			✓		Check actuator limit switch position
				✓	Check front mount for excessive wear
				✓	Servicing by authorized supplier

**CHECK...**

Charge Batteries
Glide bearings free of debris
Check tires for proper inflation level
Check batteries for proper electrolyte
Check plugs and connectors for proper
Check all moving parts for wear
Inspect all nuts, bolts and fasteners for
Inspect upholstery for wear
Remove and inspect motor brushes
Servicing by authorized Supplier
Check front mount bolts for looseness
Check actuator limit switch position
Check front mount for excessive wear

**B. TROUBLESHOOTING TIPS**

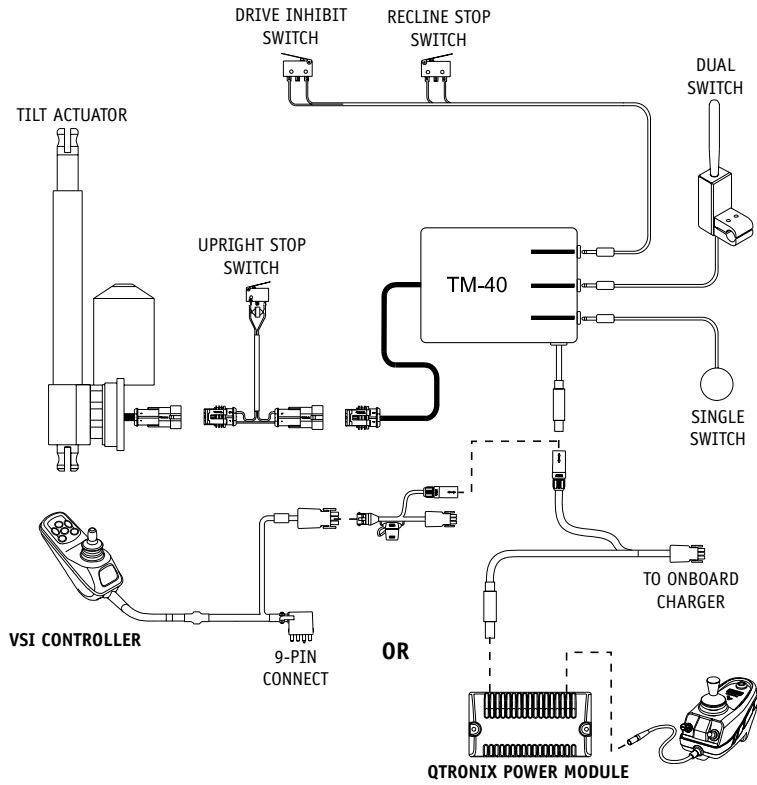
If you should notice your C.G. Tilt system binding up, not running in a smooth fashion, or emitting an unusual noise during use, a foreign matter may have come into contact with the glide bearings. If this occurs, use a clean, dry cloth or compressed air to clear or, if needed, please see your authorized Sunrise supplier.

If your tilt system will not function, check to ensure the tilt lock-out sensor is seated properly in its mount. The wires should lead out of the sensor toward the front of the chair.

VIII. WIRING DIAGRAMS

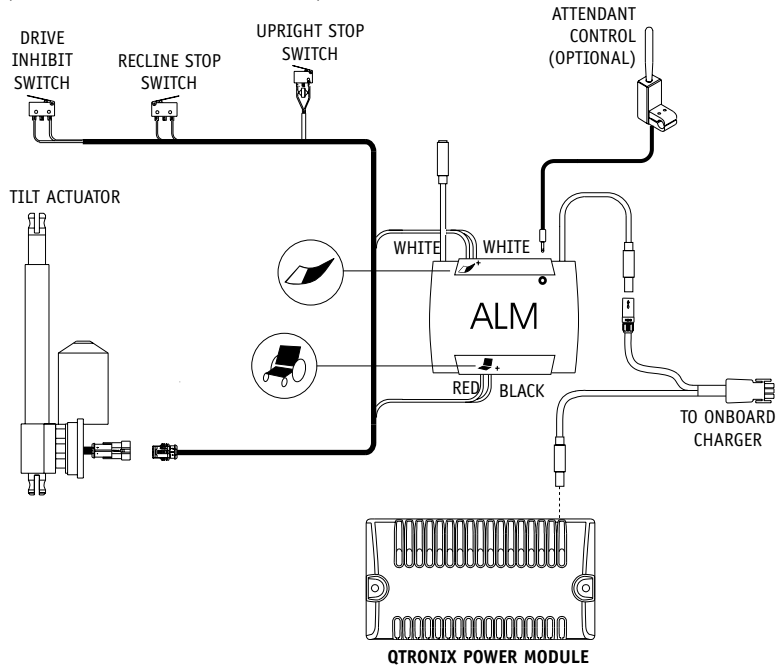
**TM40 ACTUATOR CONTROLLER**

(Independent switch control, Integral Joystick, and Remote Joystick)



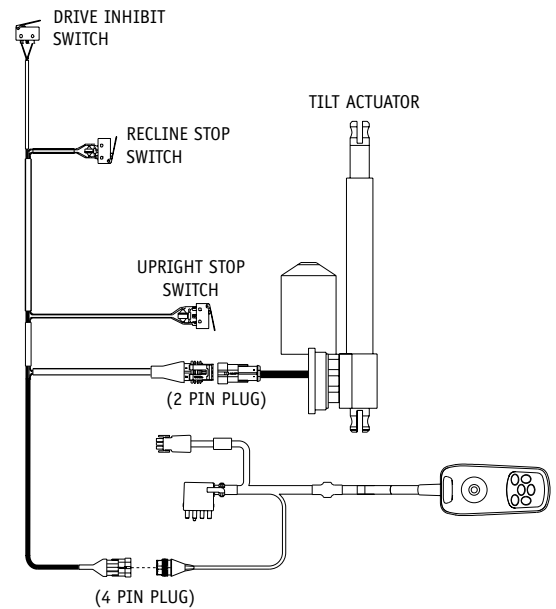
**ALM ACTUATOR CONTROLLER**

(Through drive control- Remote Joystick)



**VSI ACTUATOR CONTROLLER**

(Through drive control- Integral Joystick)



**IX. WARRANTY****FOR THREE (3) YEARS:**

We warrant the C.G. power tilt seating system seat frame, sub-base frame, actuator and structural components of this wheelchair against defects in materials and workmanship for three (3) years from the date of first consumer purchase.

**FOR TWO (2) YEARS:**

We warrant the ALM (Actuator Lights Module) actuator controller for two (2) years from the date of first consumer purchase.

**FOR ONE (1) YEAR:**

We warrant other electronic components such as the single switch actuator controller for one (1) year from the date of first consumer purchase.

**ADDITIONAL WARRANTY:**

We warrant all other original components (such as upholstery, plastic, rubber parts and painted surfaces) for three (3) months from the date of first consumer purchase.

## I. INTRODUCTION

**REMARQUE :** Ce supplément contient des informations concernant le fonctionnement et les réglages du système de basculement du centre de gravité [« C.G. Tilt System »] intégré d'un fauteuil roulant Quickie Freestyle M11 et F11 UNIQUEMENT. Veuillez consulter le manuel de l'utilisateur du Quickie Freestyle M11 & F11 pour obtenir : des avis supplémentaires ; des renseignements sur les interférences électromagnétiques ; des avertissements ; des conseils destinés aux préposés ; certains détails de configuration ; des informations sur les réglages, la batterie, l'utilisation du fauteuil et son entretien ; le guide d'utilisation ; les schémas de câblage et les modalités de la garantie.

### SUNRISE MEDICAL

Service à la clientèle

7477 East Dry Creek Parkway

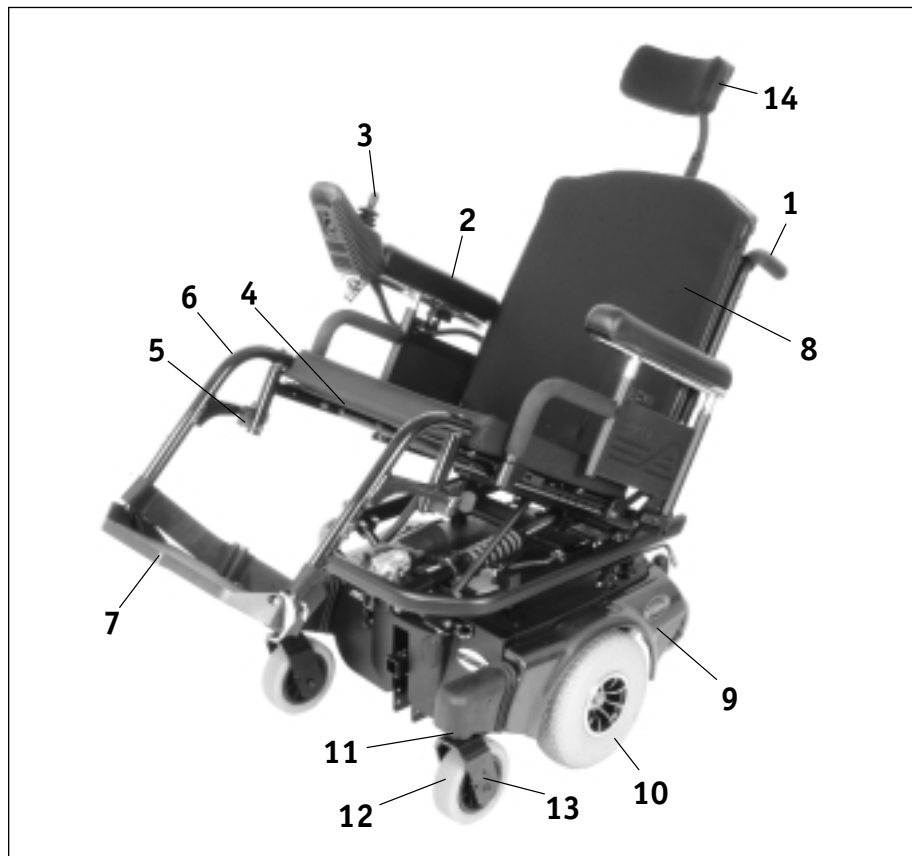
Longmont, CO 80503, États-Unis

(800) 333-4000 ou (303) 218-4500

**II. TABLE DES MATIÈRES**

<b>I. REMARQUE D'INTRODUCTION</b> .....	14
<b>II. TABLE DES MATIÈRES</b> .....	15
<b>III. VOTRE FAUTEUIL ET SES PIÈCES</b> .....	16
<b>IV. AVERTISSEMENTS</b> .....	17
A. Dossier rigide du fauteuil .....	17
B. Pilotage .....	17
C. Basculement .....	17
D. Changements et réglages .....	17
E. Goupilles de verrouillage .....	17
<b>V. MONTAGE, RÉGLAGE ET UTILISATION</b> .....	18
Outillage requis .....	18
A. Retrait des batteries .....	18
B. Dossier rigide du fauteuil et supports thoraciques latéraux .....	18
C. Appui-tête .....	19
D. Dossier en mousse .....	19
E. Réglages de l'angle d'inclinaison du siège et verrouillage du pilotage ..	19
F. Retrait du siège .....	19
G. Profondeur du siège .....	20
H. Réglage de l'angle d'inclinaison du dossier .....	20
I. Réglage de la hauteur du siège .....	20
J. Commande de l'actionneur à interrupteur simple ou double TM40 .....	21
K. Vérifications .....	21
<b>VI. GUIDE D'UTILISATION</b> .....	22
A. Activation du commutateur à bascule .....	22
B. Activation de l'interrupteur simple .....	22
C. Activation du levier de commande incorporé .....	22
D. Activation du levier de commande à distance .....	22
<b>VII. CONSEILS D'ENTRETIEN ET DE DÉPANNAGE</b> .....	23
A. Entretien .....	23
B. Conseils de dépannage .....	23
<b>VIII. SCHÉMAS DE CÂBLAGE</b> .....	24
<b>IX. GARANTIE LIMITÉE SUNRISE</b> .....	25

## III. VOTRE FAUTEUIL ET SES PIÈCES



Mini (M11)

1. Poignée de manœuvre
2. Accoudoir à hauteur réglable et à double tige
3. Commande VSI
4. Baquet de siège
5. Plateau support du repose-pied rabattable
6. Support du repose-pied rabattable
7. Semelle à angle réglable
8. Dossier
9. Housse
10. M11 : roues motrices de 25 cm (10 po)  
F11 : roues motrices de 35 cm (14 po)
11. Logement des roulettes
12. Roulettes solides de 15 cm (6 po)
13. Fourche de roulette
14. Appui-tête
15. Commutateur de basculement (non illustré)

## QUICKIE FREESTYLE C.G. TILT

**Poids**

F11 : 80,7 kg (178,5 lb)

M11: 88,2 kg (194,5 lb)

équipé de repose-pieds rabattables, fonctionne sans batterie

**Roues motrices**

F11 : 35 x 7 cm (14 po x 3 po)

M11 : 25 x 7 cm (10 po x 3 po)

**Types de roues**

Standard - pneumatiques

En option - encart sans air, solide

**Lever de commande**

Standard - incorporé (montage pour droitiers ou gauchers)

En option - télécommande (montage pour droitiers ou gauchers)

Option - levier de commande rétractable et rabattable

**Batteries**

(2 batteries sont nécessaires pour faire fonctionner le fauteuil)

F11 : En option - GP 24 à électrolyte gélifié, 22 NF à électrolyte gélifié

M11 : En option - 40 Ahr AGM, U1 à électrolyte gélifié

**Chargeur de batterie**

Standard - chargeur transporté

En option - chargeur non transporté

**Couleurs**

Consultez le bon de commande courant

**Pièces du fauteuil**

Standard - noir

**Dimensions de l'armature du fauteuil**

Largeur de l'armature du fauteuil : standard - 35 cm - 51 cm (14 po-20 po)

Profondeur du siège : Réglable entre 35 et 51 cm (14 et 20 po)

Dossier rigide du fauteuil

Baquet de siège en aluminium

Coussins en option : Coussins Jay®

**Basculement du centre de gravité :**

0° - 50° , 3° - 53°

**Dossier**

Standard - non pliable 38 à 51 cm (15 à 20 po)

Dossier droit - standard

**Repose-pied**

Standard - rabattable, équipé de semelles à angle réglable et de sangles talonnières

Option - appui-jambes à surélévation et à positions multiples

**Roulettes**

Standard - 15 cm (6 po) solides

**Accoudoirs**

Standard - rabattables à double tige

En option - à double tige et hauteur réglable ou à tige simple avec pupitre ou dotés de coussins retombant sur toute la longueur ou de coussins standard

**Supports thoraciques latéraux rabattables**

En option - Courbés

En option - Droits

**Appui-tête**

Standard - Coussinet d'appui-tête de 20,3 x 12,7 cm (8 po x 4,5 po) ou 17,7 x 11,43 cm (9 po x 4,5 po)

Il est possible que tous ces éléments ne soient pas disponibles sur certains fauteuils ou en conjonction avec d'autres éléments. Veuillez consulter votre fournisseur pour obtenir de plus amples informations à ce sujet. Votre fournisseur agréé peut également vous fournir des informations sur les accessoires.



## IV. AVERTISSEMENTS

### A. DOSSIER RIGIDE DU FAUTEUIL

#### AVERTISSEMENT

N'utilisez jamais le dossier rigide pour pousser ou pour soulever le fauteuil roulant. Une mauvaise utilisation du dossier pourrait entraîner son détachement imprévu.

### B. PILOTAGE

#### AVERTISSEMENT

Ne conduisez votre fauteuil que lorsque l'angle de basculement est au minimum.

### C. BASCULEMENT

#### AVERTISSEMENT

Pour empêcher tout dommage et accident, ne faites pas basculer le fauteuil à proximité d'objets tels qu'un mur, une table ou une chaise. Pour éviter tout accident, veillez à ce que les autres personnes présentes, en particulier les enfants, se tiennent éloignées de l'appareil. Si vous utilisez un abducteur rétractable : ne faites pas basculer le fauteuil alors que l'abducteur est en position ouverte, car il pourrait heurter l'actionneur de basculement en revenant en position verticale.

### D. CHANGEMENTS ET RÉGLAGES

#### AVERTISSEMENT

N'utilisez jamais de pièces autres que celles du Quickie ou ne modifiez jamais votre fauteuil sans l'autorisation de Sunrise. (Procéder ainsi annulera la garantie et pourrait causer des accidents.)

1. Modifier ou régler ce fauteuil peut augmenter les risques de chute ou de basculement.
2. Les modifications non autorisées par Sunrise sont considérées comme une reconstruction du fauteuil roulant et entraînent l'annulation de la garantie. L'utilisateur/ utilisatrice assume alors toute responsabilité future pour le fauteuil roulant.

### E. GOUPILLES DE VERROUILLAGE

#### AVERTISSEMENT

Ne faites jamais fonctionner cet appareil sans utiliser tous les dispositifs de verrouillage.

## V. CONFIGURATION, RÉGLAGE ET UTILISATION

### OUTILLAGE REQUIS

#### 1. Trousse à outils élémentaire :

Pour monter, régler et entretenir votre fauteuil, vous aurez besoin des outils suivants :

- Une clé hexagonale de 5/32 po
- Une clé hexagonale de 3/16 po
- Une clé hexagonale de 5/16 po
- Une clé fermée et une clé à fourche de 9/16 po
- Une clé fermée et une clé à fourche de 1/2 po
- Un tournevis cruciforme n°1
- Un tournevis standard

**REMARQUE**— Placez le fauteuil roulant sur une surface plate telle qu'une table ou un atelier, pour simplifier cette procédure.

#### A. RETRAIT DE LA BATTERIE (Figures 1, 2 et 3)

Pour retirer les batteries en vue d'un transport ou de l'entretien :

1. Enlevez le siège en retirant la goupille de blocage et en tirant les deux mécanismes de déblocage vers l'intérieur. Faites alors glisser le fauteuil en avant et soulevez-le.
2. Pour enlever le panneau d'accès à la batterie, insérez, en le pointant vers l'arrière, un tournevis à lame plate entre le panneau et la housse principale, au niveau du mot « open » [ouvrez].
3. Appuyez sur le tournevis jusqu'à ce que le panneau se soulève.
4. Débranchez les batteries et dégagez-les de l'arrière du fauteuil.
5. Soulevez les batteries par leurs attaches.

#### **▲ AVERTISSEMENT**

**Les batteries peuvent peser jusqu'à 25 kg (55 lb). Vous devez prendre des précautions pour éviter de vous blesser en tirant sur les attaches des batteries.**

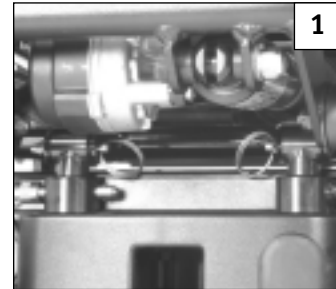
#### B. DOSSIER RIGIDE DU FAUTEUIL ET SUPPORTS THORACIQUES LATÉRAUX

1. Pour régler la hauteur de la fixation du support latéral, desserrez la vis de réglage jusqu'à ce que le récepteur coulisse librement sur les tiges arrière. Une fois la hauteur correcte déterminée, serrez la vis de réglage.
2. Faites l'évaluation et l'essayage des supports thoraciques latéraux. Évaluez le client pour trouver la position correcte des supports thoraciques latéraux. Chaque support est indépendant et se règle en fonction des besoins cliniques de votre client.

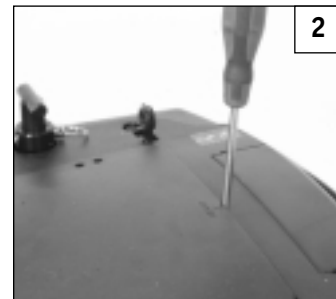
#### **▲ AVERTISSEMENT**

**Laissez un espace minimum de 2,5 cm (1 po) entre le haut du support latéral et l'aisselle de l'utilisateur.**

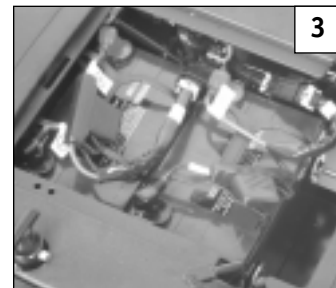
- a. Pour régler la hauteur, l'angle ou la largeur des coussinets du support thoracique latéral, desserrez les boulons supérieurs et faites-les coulisser à la largeur correcte. Fixez le boulon sur sa plaque. Si un réglage supplémentaire est nécessaire, desserrez les boulons internes et faites-les coulisser dans la rainure jusqu'à ce qu'ils soient à la hauteur et à la largeur désirées. L'angle s'obtient en inclinant le support dans la position nécessaire. Serrez les boulons.
- b. Pour régler la profondeur des coussinets thoraciques latéraux, tournez le support central de manière à ce que les fentes se trouvent sur le côté. Réglez-les à la profondeur désirée. Resserrez les boulons.



1



2



3

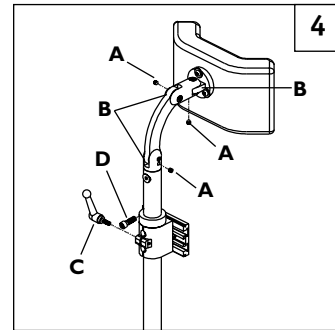
## C. APPUI-TÊTE (Figure 4)

### 1. Montage d'un appui-tête.

Le dossier rigide est équipé d'un plateau d'appui-tête. Pour le monter, utilisez des vis d'une longueur appropriée.

### 2. Positionnement de l'appui-tête

- Placez l'appui-tête à la hauteur et à la distance voulue à l'aide de la double bride et du collier de serrage (B,C,D).
- Pour installer le collier de serrage B utilisez une vis de fixation Allen de 3/32 (A) et une vis de blocage Allen de 3/16. Le collier de serrage B place l'appui-tête vers l'avant et vers l'arrière. Cependant, compte tenu du mouvement vertical de ce réglage, le collier de serrage D devra lui aussi être déplacé.
- Resserrez la vis Allen de 3/16 et les vis de fixation (A) à l'aide d'une clé hexagonale de 3/32.



## D. DOSSIER EN MOUSSE

Fixez la mousse et la housse à la coque.

Pour fixer la mousse et la housse au dossier rigide du fauteuil, enfiler le bord supérieur de la housse sur le rebord supérieur de la coque. Installez le dossier en place en l'appuyant contre la coque.

## E. RÉGLAGES DU BASCULEMENT DU DOSSIER ET VERROUILLAGE DU PILOTAGE (Figure 5)

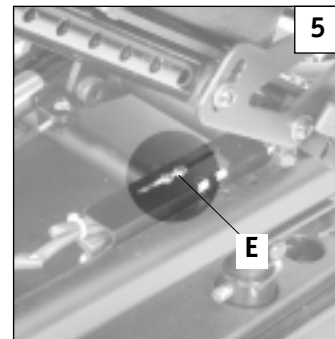
### 1. Angle de basculement maximum

L'angle de basculement maximum peut être réglé à 50°.

- Desserrez et enlevez les attaches d'interrupteur (E).
- L'interrupteur peut être placé vers l'avant et vers l'arrière dans la fente, pour régler l'angle de basculement maximum du fauteuil de la manière la plus précise possible. Un positionnement vers l'avant augmente les angles de basculement. Un positionnement vers l'arrière les réduit.
- Resserrez les attaches d'interrupteur à l'angle de basculement maximum désiré.

### 2. Angle de verrouillage du pilotage.

L'angle de verrouillage du fauteuil en mode pilotage est fixe et réglé à 15° ±3°.



## F. RETRAIT DU SIÈGE (Figure 6)

### 1. Enlevez le siège.

- Pour enlever le siège le plus facilement possible, inclinez-le à un angle supérieur ou égal à 40°.
- Enlevez la goupille de verrouillage sécuritaire (F).
- Rabattez le siège vers l'arrière et retirez-le en l'avançant légèrement vers l'avant.

### **⚠ AVERTISSEMENT**

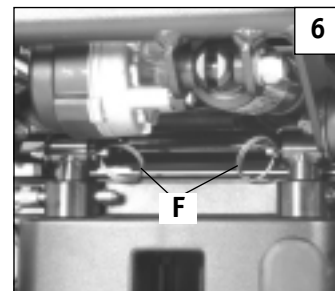
**Nous vous conseillons d'employer deux personnes pour effectuer cette opération. Le siège est lourd et peut être encombrant.**

### 2. Remplacez le siège

- Placez l'arrière du siège sur un dispositif d'ancrage.
- Faites pivoter le siège vers l'avant jusqu'à ce que les attaches s'enclenchent et bloquent le siège à la position désirée.
- Remplacez la goupille de verrouillage sécuritaire (F) sous le levier de dégagement, positionnez les deux boutons d'attache vers l'extérieur et resserrez.

### **⚠ AVERTISSEMENT**

**Remettez toujours les goupilles de verrouillage pour empêcher tout déblocage accidentel du siège.**



## G. PROFONDEUR DU SIÈGE (Figure 7)

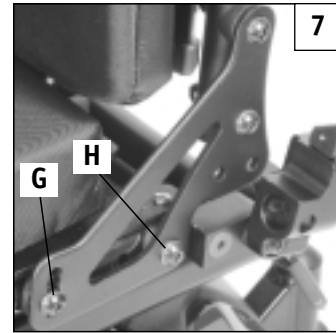
La profondeur du siège peut être réglée par incréments de 2,5 cm (1 po).

### 1. Réglage de la profondeur de l'armature du fauteuil

- Pour effectuer ce réglage, retirez les deux boulons (G & H) situés de chaque côté de la plaque basculante du dossier.
- Remplacez le dossier dans la position désirée.

**REMARQUE** – Substituez le boulon (H) avec le boulon de la plaque basculante du dossier (G) pour obtenir une profondeur de 46 cm (18 po).

- Remplacez les boulons de chaque côté de la plaque basculante du dossier et resserrez-les.

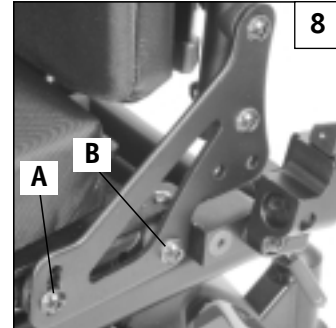


## H. RÉGLAGES DE L'ANGLE DU DOSSIER (Figure 8)

Le réglage de l'angle du dossier est un réglage standard.

### Réglage sur l'armature du dossier

- Retirez le boulon de fixation avant (A) situé sur le côté de la plaque charnière du dossier.
- Desserrez le boulon arrière inférieur (B).
- Régalez à l'angle désiré. Choisissez entre les quatre trous (à incréments de 4°).
- Reinstallez le boulon avant et serrez fortement les deux boulons.

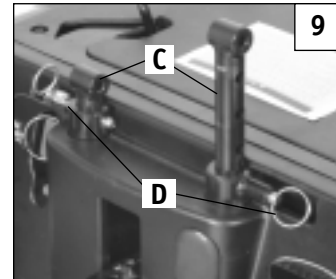


## I. RÉGLAGE DE LA HAUTEUR DU SIÈGE (Figures 9 et 10)

Le siège peut être réglé à des hauteurs allant de 43 à 53 cm (17,5 à 21,5 po) (M11) et de 48 à 58 cm (19 à 23 po) (F11) par le biais d'incrément de 2,5 cm (1 po).

- Enlevez le siège.
- Pour replacer les quatre supports de fauteuil (C) à la position désirée, enlevez les goupilles (D), réglez les supports et replacez les goupilles.
- Assurez-vous que les parties supérieures des quatre supports sont toutes à la même hauteur. (à l'exception de la remarque ci-dessous).
- Remplacez le siège.

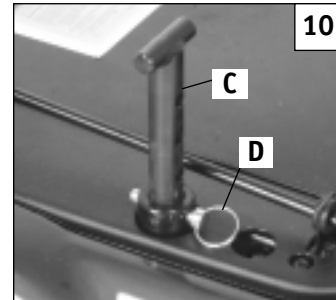
**REMARQUE** – vous pouvez régler 2,5 cm (1 po) d'angle de siège en abaissant la position des deux trous de la tige arrière.



Supports avant

### **⚠ AVERTISSEMENT**

À chaque fois que vous réglez la hauteur du siège ou son angle de basculement fixe, vérifiez que les attaches arrière et avant (2) sont bien emboîtées.

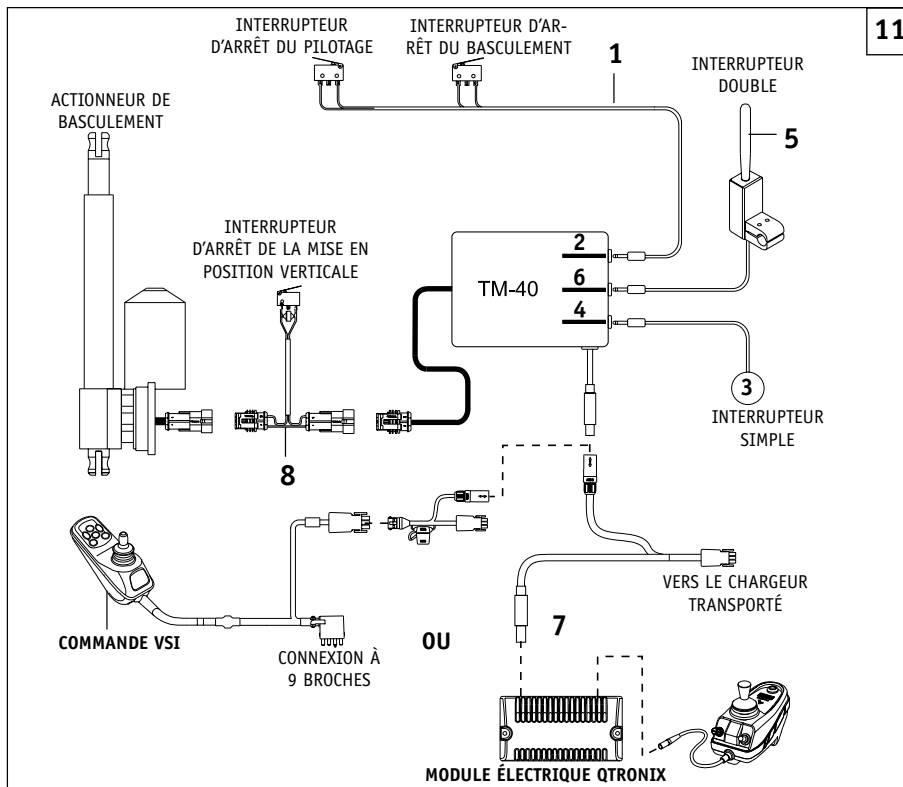


Supports arrière

## J COMMANDE DE L'ACTIONNEUR À INTERRUPTEUR SIMPLE OU DOUBLE TM40 (Figure 11)

La commande de l'actionneur TM40 sert à activer le mécanisme de basculement à l'aide des commandes à interrupteur simple ou double.

1. Branchez l'assemblage du faisceau d'interrupteur de blocage (1) dans la prise d'interrupteur de blocage TM40 (2).
2. Branchez l'interrupteur simple (3) dans la fiche d'interrupteur simple TM40 (4) OU branchez l'interrupteur double (5) dans la fiche d'interrupteur double TM40 (6).
3. Branchez le TM40 dans le module électrique QTRONIX (7).
4. Connectez le TM40 à l'actionneur de basculement à l'aide des fiches d'accouplement (8).



## K. VÉRIFICATIONS

Une fois que le dispositif de basculement est réglé, il doit fonctionner facilement et sans à-coups. Tous les accessoires doivent également fonctionner sans difficulté.

1. Assurez-vous que le siège peut basculer complètement et revenir en position neutre.
2. Vérifiez que le moteur s'arrête une fois que le fauteuil est en position neutre.
3. Vérifiez qu'il n'y a aucun débris dans les roulements coulissants.
4. Vérifiez que tout le matériel est convenablement serré.
5. Vérifiez que l'interrupteur de verrouillage du pilotage est placé de manière à rester immobile si le fauteuil est incliné à un angle supérieur à 15°.
6. Vérifiez que la goupille de verrouillage sécuritaire et les boutons d'arrimage arrière sont en place.

### **⚠ AVERTISSEMENT**

**Si les interrupteurs d'arrêt de l'actionneur ne sont pas réglés correctement, l'actionneur limitera le courant ou « décrochera » à la fin de la course. Si un tel « décrochage » se produit plusieurs fois, la durée de vie de l'actionneur sera affectée.**

## VI. GUIDE D'UTILISATION

### A. ACTIVATION DU COMMUTATEUR À BASCULE (Figure 1)

1. Poussez le commutateur (A) vers l'avant (le siège s'incline en arrière) ou tirer dessus (le siège revient en position verticale) jusqu'à ce que le siège soit à la position désirée.
2. Le commutateur à bascule reviendra en position neutre lorsqu'il est relâché et le fauteuil s'arrêtera de bouger.

### B. ACTIVATION DE L'INTERRUPTEUR SIMPLE

1. Appuyez sur l'interrupteur simple et maintenez-le ainsi pour faire basculer le fauteuil vers l'arrière, jusqu'à ce qu'il soit à la position désirée.
2. Appuyez sur l'interrupteur simple et maintenez-le pour faire revenir le fauteuil à la position désirée.

### C. ACTIVATION DU LEVIER DE COMMANDE INCORPORÉ (EN OPTION) (Figure 2)

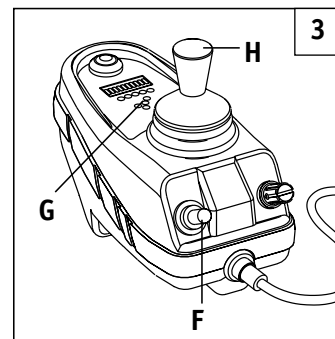
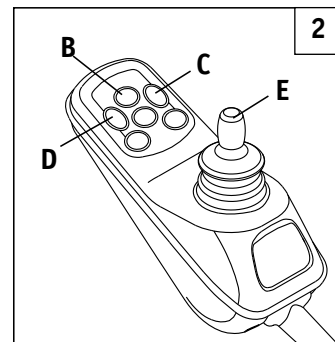
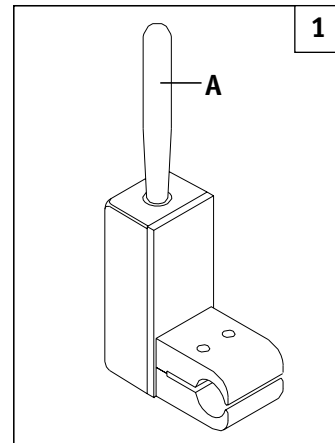
À partir de la position « arrêt » (« off »).

1. Appuyez une fois sur le bouton marche/arrêt (on/off) (B) pour activer le fauteuil.
2. Appuyez sur un des boutons de basculement (C ou D) pour activer le mode de basculement.
3. Poussez le levier de commande (E) vers l'avant pour incliner le fauteuil vers l'arrière.
4. Tirez sur le levier de commande (E) pour faire revenir le fauteuil en position verticale.
5. Appuyez sur un des boutons de basculement (C ou D) pour désactiver ou réactiver le mode de basculement.

### D. ACTIVATION DU LEVIER DE COMMANDE À DISTANCE (EN OPTION) (Figure 3)

À partir de la position « arrêt » (« off »).

1. Baissez le commutateur à bascule de sélection (F) du mode marche/arrêt (on/off) une fois pour activer le fauteuil.
2. Soulevez deux fois le commutateur à bascule de sélection (F) de mode marche/arrêt pour déplacer l'index vers le mode basculement (indiqué par les deux (2) voyants d'actionneur (G)).
3. Poussez le levier de commande (H) vers l'avant pour incliner le fauteuil vers l'arrière ou tirez-le vers vous pour rétablir le fauteuil en position verticale.
4. Levez le commutateur à bascule de sélection (F) du mode marche/arrêt une fois pour repasser en mode de pilotage.



## VII. ENTRETIEN ET DÉPANNAGE

### A. ENTRETIEN

Effectuez les vérifications recommandées sur le tableau suivant aux intervalles indiqués. Si un des éléments est desserré, usé, tordu ou déformé, faites-le vérifier et (ou) réparer par votre fournisseur Sunrise agréé dans les plus brefs délais. Un entretien régulier et des réparations fréquentes de votre fauteuil amélioreront ses performances et prolongeront sa durée de vie.

**REMARQUE** – Procédez à une vérification hebdomadaire des roulements coulissants et utilisez un chiffon propre et sec ou, le cas échéant, de l'air comprimé pour nettoyer les débris.

Quotidienne	Hebdomadaire	Mensuelle	Trimestrielle	Annuelle	VÉRIFICATION...
✓					Chargement des batteries
	✓				Les roulements coulissant ne contiennent pas de débris
	✓				Vérifiez si les pneus sont convenablement gonflés
	✓				Vérifiez si les batteries ont le niveau d'électrolytes requis (pile à électrolyte liquide uniquement)
		✓			Vérifiez si les fiches et les connecteurs sont correctement branchés
			✓		Vérifiez si les pièces mobiles ne sont pas usées
			✓		Vérifiez que tous les écrous, boulons, attaches sont bien serrés et en bon état
			✓		Vérifiez que les garnitures ne sont pas usées
			✓		Déposez les balais de moteur et inspectez-les
			✓		Vérifiez que les boulons de montage avant sont bien serrés
			✓		Vérifiez la position de l'interrupteur d'arrêt de l'actionneur
				✓	Vérifiez que les supports avant ne sont pas trop usés
				✓	Entretien effectué par un concessionnaire agréé

### B. CONSEILS DE DÉPANNAGE

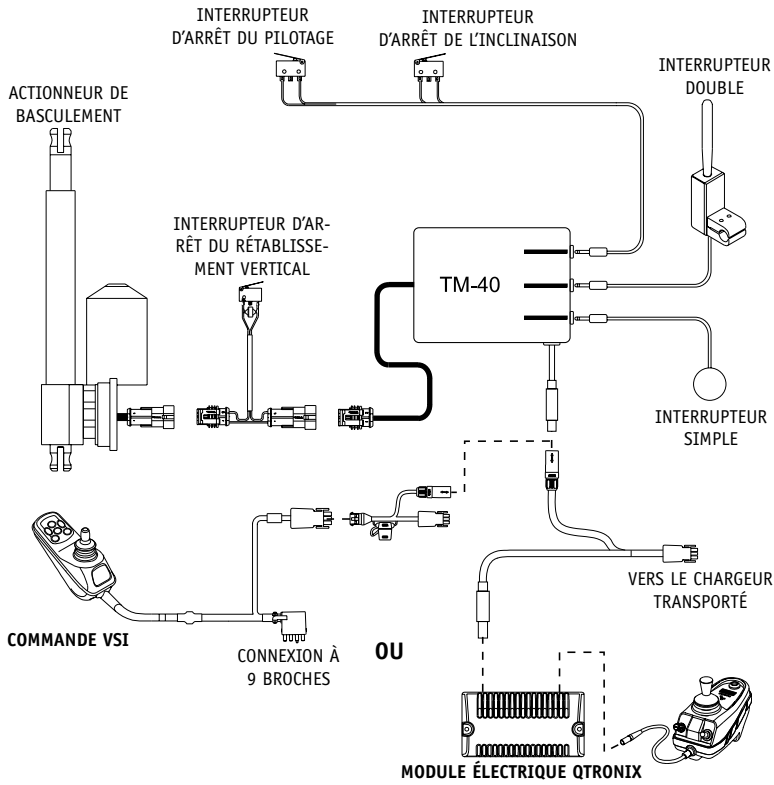
Si vous remarquez que votre système de basculement C.G. Tilt se bloque, ne fonctionne pas convenablement ou fait des bruits bizarres durant son fonctionnement, il se peut que des débris bloquent les roulements coulissants. Dans ce cas, nettoyez-les à l'aide d'un chiffon sec et propre ou d'air comprimé ou bien contactez votre fournisseur Sunrise agréé.

Si le système de basculement ne fonctionne pas, vérifiez si le capteur de verrouillage du basculement est correctement placé sur son support. Les câbles doivent sortir du capteur vers l'avant du fauteuil.

VIII. SCHÉMAS DE CÂBLAGE

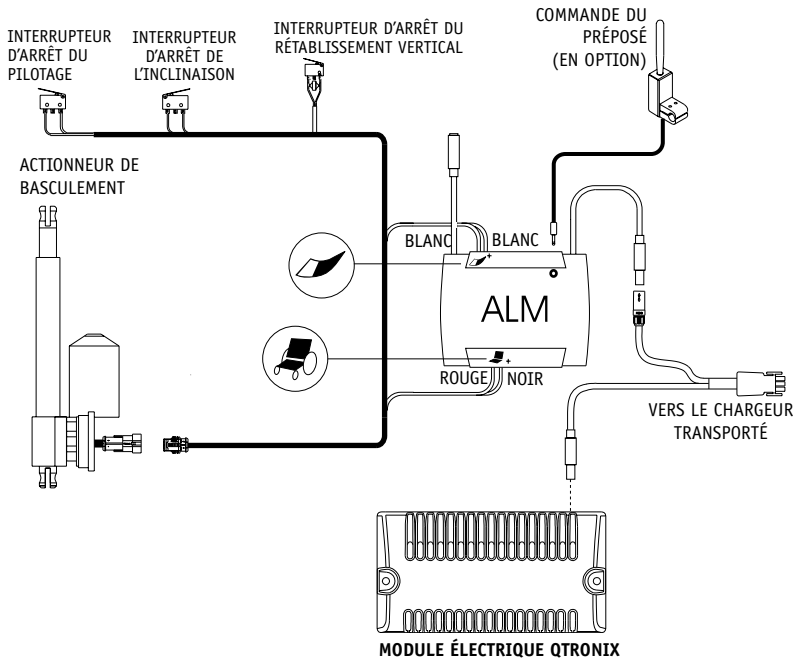
COMMANDE DE L'ACTIONNEUR TM40

(Commande d'interrupteur indépendante, levier de commande incorporé et levier de commande à distance)



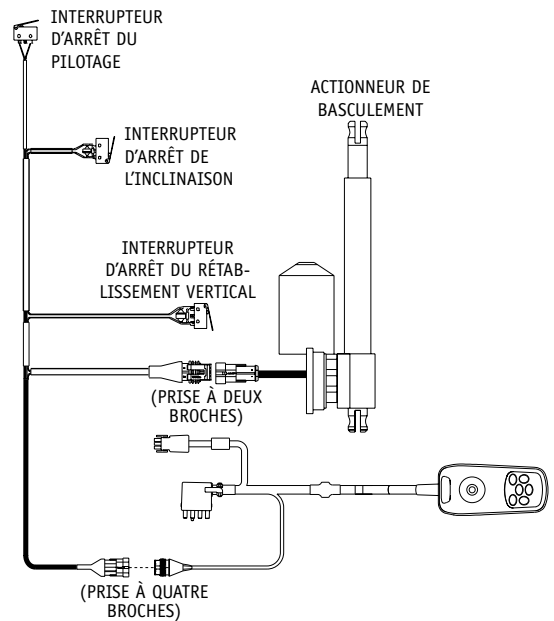
COMMANDE DE L'ACTIONNEUR ALM

(Vers commande de pilotage – Levier de commande à distance)



COMMANDE DE L'ACTIONNEUR VSI

(Vers commande de pilotage – Levier de commande à distance)





**IX. GARANTIE****POUR UNE DURÉE DE TROIS (3) ANS**

Nous garantissons l'armature, le socle de l'armature, l'actionneur et les composants structurels de ce fauteuil roulant à basculement électrique du centre de gravité contre tout défaut de pièce et de main-d'œuvre, pour une durée de trois (3) ans à compter de la date de son achat d'origine.

**POUR UNE DURÉE DE DEUX (2) ANS**

La commande d'actionneur du module des voyants de positionneur (ALM) est garantie deux (2) ans à partir de la date de son achat d'origine.

**POUR UNE DURÉE D'UN (1) AN**

Nous garantissons d'autres composants électroniques telle la commande d'actionneur de l'interrupteur simple pendant une période d'un (1) an à partir de la date de son achat d'origine.

**GARANTIE SUPPLÉMENTAIRE**

Nous garantissons tous les autres composants d'origine (garnissage, pièces en plastique, en caoutchouc et surfaces peintes) pour une durée de trois (3) mois à compter de la date d'achat d'origine.

## I. INTRODUCCIÓN

**NOTA:** Este suplemento contiene información acerca del funcionamiento y ajustes del Sistema Integrado de Inclinación C.G. de la silla de ruedas Quickie Freestyle M11 y F11 SOLAMENTE.

Por favor vea los avisos adicionales, información IEM, advertencias, consejos para los ayudantes, preparación, información de ajuste y uso, guía de funcionamiento, información de las baterías y mantenimiento, diagramas de cableado e información de la garantía en el Manual de Instrucciones del Usuario de la Quickie Freestyle M11 y F11.

### SUNRISE MEDICAL

Departamento de Servicios al Cliente

7477 East Dry Creek Parkway

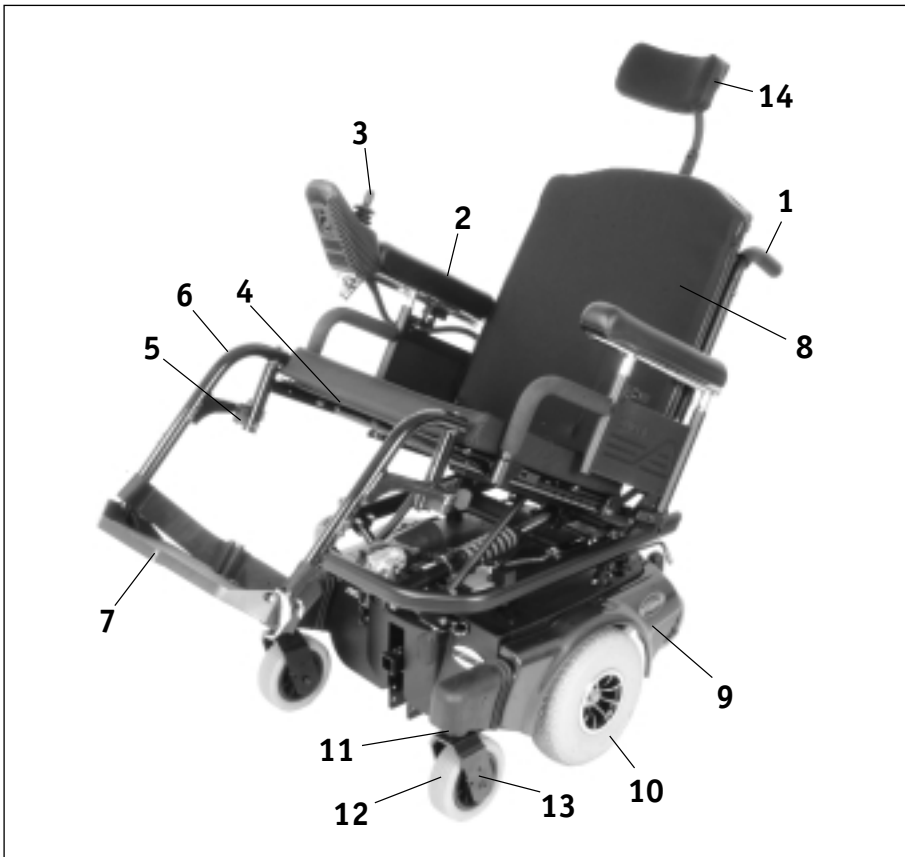
Longmont, Colorado 80503

(303) 218-4500 u (800) 333-4000

## II. ÍNDICE

<b>I. NOTA DE INTRODUCCIÓN</b> .....	26
<b>II. ÍNDICE</b> .....	27
<b>III. SU SILLA Y SUS PARTES</b> .....	28
<b>IV. ADVERTENCIAS</b> .....	29
A. Respaldo Sólido .....	29
B. Manejo .....	29
C. Inclinación.....	29
D. Cambios y Ajustes .....	29
E. Pasador de Seguro.....	29
<b>V. PREPARACIÓN, AJUSTE Y USO</b> .....	30
Herramientas Necesarias.....	30
A. Remoción de las Baterías .....	30
B. Respaldo Sólido y Soportes Torácicos Laterales .....	30
C. Cabecera .....	31
D. Respaldo de Espuma .....	31
E. Ajuste de la Inclinación del Asiento y Aseguramiento del Motor.....	31
F. Remoción del Asiento .....	31
G. Profundidad del Asiento .....	32
H. Ajuste del Ángulo del Respaldo .....	32
I. Ajuste de la Altura del Asiento.....	32
J. Control del Accionador de Interruptor Doble o Sencillo TM40.....	33
K. Revisión .....	33
<b>VI. GUÍA DE FUNCIONAMIENTO</b> .....	34
A. Activación del Interruptor Selector .....	34
B. Activación del Interruptor Sencillo .....	34
C. Activación de la Palanca de Mando Integral .....	34
D. Activación de la Palanca de Mando Remoto .....	34
<b>VII. CONSEJOS DE MANTENIMIENTO Y SOLUCIÓN DE PROBLEMAS</b> .....	35
A. Mantenimiento .....	35
B. Consejos para la Solución de Problemas.....	35
<b>VIII. DIAGRAMAS DE CABLEADO</b> .....	36
<b>IX. GARANTÍA LIMITADA SUNRISE</b> .....	37

## III. SU SILLA Y SUS PARTES



Mini (M11)

1. Asidero de empuje
2. Reposabrazos de Altura Ajustable de Poste Doble
3. Control VSI
4. Recipiente del Asiento
5. Placa del Seguro Pivotante del Reposapiés
6. Sostén Pivotante del Reposapiés
7. Estribo de Ángulo Ajustable
8. Respaldo
9. Cubierta
10. M11: Ruedas Impulsoras de 25.4 cm (10 pulg.)  
F11: Ruedas Impulsoras de 35.5 cm (14 pulg.)
11. Alojamiento de la Rueda Pivotante
12. Ruedas Pivotantes de 15.2 cm (6 pulg.)
13. Horquilla de la Rueda Pivotante
14. Cabecera
15. Interruptor Selector de Inclinación (no se muestra)

## QUICKIE FREESTYLE INCLINACIÓN C.G.

**Peso**

F11: 81 Kg. (178.5 lb.)

M11: 88.3 Kg. (194.5 lb.) con estribos pivotantes y sin baterías

**Ruedas Impulsoras**

F11: 35.5 x 7.6 cm (14 x 3 pulg.)

M11: 25.4 x 7.6 cm (10 x 3 pulg.)

**Tipos de llanta**

Estándar - neumáticas

Opcional - Inserción sin aire, sólidas

**Palanca de Mando**

Estándar - integral (montura para la mano derecha o para la mano izquierda)

Opcional - remoto (montura para la mano derecha o para la mano izquierda)

Opcional - Palanca de mando retráctil pivotante

**Baterías**

(para operar la silla se necesitan 2 baterías)

F11: Opcional - GP 24 gel de larga duración, 22 NF gel de larga duración

M11: Opcional - AGM de 40 A / hr., U1 gel de larga duración

**Cargador de Baterías**

Estándar - cargador a bordo

Opcional - cargador por separado

**Colores**

Vea la forma de pedido actual

**Partes de la Silla**

Estándar - negro

**Dimensiones del Bastidor del Asiento**

Anchura del bastidor del asiento:

Estándar - 35.5 - 50.8 cm (14 - 20 pulg.)

Profundidad del Asiento: 35.5 - 50.8 (14 - 20 pulg.) ajustable

Respaldo sólido

Recipiente del asiento de aluminio

Cojines opcionales: Cojines Jay®

**Inclinación CG**

0° - 50°

3° - 53°

**Respaldo**

Estándar - No se dobla: 38.1 - 50.1 cm (15 - 20 pulg.)

Poste posterior recto - estándar

**Reposapiés**

Estándar - Pivotante con estribos de ángulo ajustable y taloneras.

Opcional - reposapiernas elevables y de posiciones múltiples

**Ruedas pivotantes**

Estándar - 15.2 cm (6 pulg.) sólidas

**Reposabrazos**

Estándar - Poste doble pivotante

Opcional - Poste doble de altura ajustable o poste sencillo con cojines cortos o largos de costura en cascada o estándar

**Soportes Torácicos Laterales Pivotantes**

Opcional - Curvos; Opcional - Rectos

**Cabecera**

Estándar - Cojín de la cabecera de 20.3 x 11.4 ó 22.8 x 11.4 cm. (8 x 4.5 pulg. ó 9 x 4.5 pulg.)

Todas estas características podrían no estar disponibles en algunas configuraciones de sillas o en conjunto con otra característica de la silla. Por favor consulte a su distribuidor para recibir más información. Su distribuidor autorizado también le puede proporcionar más información acerca de los accesorios.

**IV. ADVERTENCIAS****A. RESPALDO SÓLIDO****⚠ ADVERTENCIA**

No use el respaldo sólido para empujar o levantar la silla de ruedas. El uso inapropiado puede provocar que el respaldo inesperadamente se desprenda de la silla de ruedas.

**B. MANEJO****⚠ ADVERTENCIA**

Debe manejar su silla con la inclinación en el ángulo mínimo.

**C. INCLINACIÓN****⚠ ADVERTENCIA**

Para evitar daños o lesiones personales, evite inclinarse cerca de objetos como paredes, mesas o sillas. Para evitar lesiones, asegúrese que otras personas, especialmente los niños, no estén cerca del sistema. Si usa un abductor pivotante, asegúrese de no inclinarse con el abductor hacia fuera. De ser así, el abductor puede chocar con el accionador de inclinación cuando regrese a la posición sin inclinación.

**D. CAMBIOS Y AJUSTES****⚠ ADVERTENCIA**

Nunca use partes que no sean Quickie para hacer cambios a su silla a menos que estén autorizadas por Sunrise. (Al hacerlo, anulará la garantía y puede crear un riesgo de seguridad.)

1. Si modifica o ajusta esta silla, puede aumentar el riesgo de caídas o volcaduras.
2. Las modificaciones no autorizadas por Sunrise constituyen una remanufactura de la silla de ruedas. Esto anula la garantía. El pasajero asume toda la responsabilidad futura por la silla de ruedas.

**E. PASADORES DEL SEGURO****⚠ ADVERTENCIA**

Nunca use ni opere este aparato sin usar todos los dispositivos de pasadores del seguro.

## V. PREPARACIÓN, AJUSTE Y USO

### HERRAMIENTAS NECESARIAS

#### 1. Kit Básico de Herramientas:

Para la preparación, ajuste y mantenimiento de su silla, necesitará las siguientes herramientas:

- Llave Allen de 5/32 pulg.
- Llave Allen de 3/16 pulg.
- Llave Allen de 5/16 pulg.
- Llave de caja y abierta de 9/16 pulg.
- Llave de caja y abierta de 1/2 pulg.
- Destornillador Phillips #1
- Destornillador plano estándar

**NOTA** – Para hacer estos procedimientos más fáciles, coloque la silla de ruedas sobre una superficie plana como una mesa o una mesa de trabajo.

#### A. REMOCIÓN DE LAS BATERÍAS (Figuras 1, 2 y 3)

Para remover las baterías para transportar la silla o darle mantenimiento:

1. Quite el asiento removiendo el pasador de liberación y tirando después los dos mecanismos de liberación hacia arriba. Después, deslice la silla hacia delante y levántela.
2. Quite el panel de acceso a la batería al insertar un destornillador plano entre el panel y la cubierta principal hacia atrás del panel donde está la palabra “abrir” (open).
3. Empuje el destornillador hacia delante hasta que se levante el panel.
4. Desenchufe y quite las baterías de la parte posterior de la silla.
5. Saque las baterías levantando las correas de las mismas.

#### **⚠ ADVERTENCIA**

**Las baterías pueden pesar hasta 24.9 Kg. (55 lb.) Debe tenerse cuidado para evitar lesiones cuando levante las correas de la batería.**

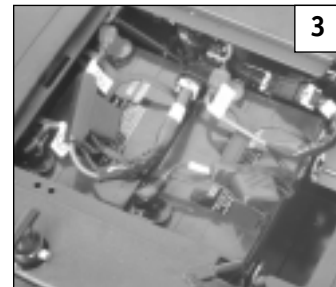
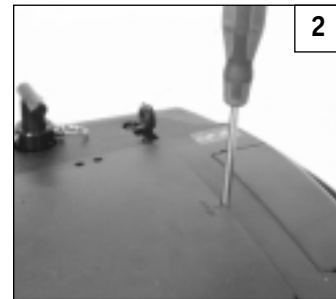
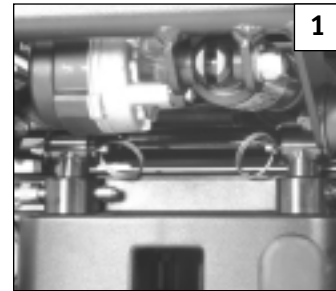
#### B. RESPALDO SÓLIDO Y SOPORTES TORÁCICOS LATERALES

1. Para ajustar la altura de la montura lateral de apoyo, afloje el tornillo de ajuste hasta que el receptor se deslice libremente en los postes posteriores. Apriete el tornillo de ajuste cuando determine la altura apropiada.
2. Mida y adapte los apoyos torácicos laterales. Evalúe al cliente para un posicionamiento apropiado de los soportes de apoyo laterales. Cada soporte es independiente y deben ser ajustados a las necesidades clínicas de su cliente.

#### **⚠ ADVERTENCIA**

**Debe existir un espacio mínimo de 1 pulg. (2.5 cm) entre el tope del soporte lateral y la axila del usuario.**

- a. Para ajustar la altura, ángulo o anchura de los cojines de los soportes torácicos laterales, afloje los pernos superiores y deslice hasta la anchura correcta. Apriete el perno en la placa para el perno. Si se necesita más ajuste, afloje los pernos montados internamente y deslice sobre el canal hasta la altura y anchura deseadas. Se obtiene el ángulo al inclinar la abrazadera hasta donde sea necesario. Apriete los pernos.
- b. Para ajustar la profundidad de los cojines torácicos laterales, gire la abrazadera de en medio hasta que las ranuras queden al lado. Ajuste a la profundidad necesaria. Reapriete los pernos.



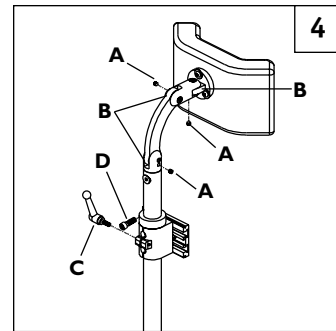
## C. CABECERA (Figura 4)

### 1. Montaje de la Cabecera

El respaldo sólido tiene montada una placa para la cabecera. Se debe tener cuidado al montarla usando un tornillo de la longitud apropiada.

### 2. Colocación de la Cabecera

- Para colocar la cabecera, use la abrazadera doble y la abrazadera de collar (B, C, D) para obtener la altura y distancia apropiadas.
- Para la abrazadera B, use un tornillo de sujeción Allen de 3/32 (A) y un tornillo de capuchón Allen de 3/16. La abrazadera B coloca la cabecera hacia delante y atrás. Sin embargo, debido al movimiento vertical de este ajuste, tendrá que ser movida junto con la abrazadera de collar D.
- Apriete los tornillos Allen de 3/16 y los tornillos de sujeción con una llave Allen de 3/32.



## D. RESPALDO DE ESPUMA

Asegure la espuma y la cubierta en el alojamiento.

Para asegurar la espuma del respaldo y la cubierta en el Respaldo Sólido, deslice el borde superior de la cubierta sobre la ceja superior del alojamiento. Oprima el respaldo contra el alojamiento.

## E. AJUSTE DE LA INCLINACIÓN DEL ASIENTO Y ASEGURAMIENTO DEL MOTOR (Figura 5)

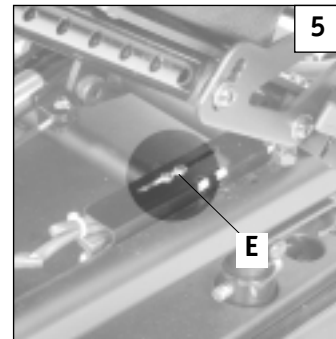
### 1. Ángulo Máximo de Inclinación

El ángulo máximo de inclinación puede ajustarse hasta 50° como límite.

- Afloje y quite los sujetadores del interruptor (E).
- El interruptor se puede colocar hacia delante o atrás dentro de la ranura para afinar el ángulo máximo de inclinación. La posición hacia delante aumenta el ángulo de inclinación. La posición hacia atrás disminuye el ángulo de inclinación.
- Apriete los sujetadores del interruptor en el ángulo deseado de inclinación máxima.

### 2. Ángulo de Aseguramiento del Motor

El ángulo de seguro del motor es fijo y está ajustado a  $15^\circ \pm 3^\circ$ .



## F. REMOCIÓN DEL ASIENTO (Figura 6)

### 1. Remueva el asiento

- Quitar el asiento se hace fácilmente si está inclinado en o a más de 40°.
- Quite el pasador del seguro (F).
- Doble el asiento hacia atrás y quítelo con un movimiento leve hacia delante.

### ⚠ ADVERTENCIA

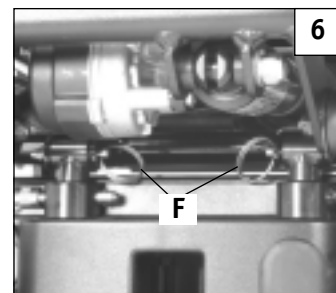
Se recomienda que esta operación la efectúen dos personas. El asiento es pesado y pudiera ser grande dependiendo del tamaño del mismo.

### 2. Vuelva a poner el Asiento

- Coloque la parte trasera del asiento en la montura de acoplamiento.
- Gire el asiento hacia delante hasta que los seguros afirmen el asiento en su lugar.
- Coloque nuevamente el pasador del seguro (F) bajo la palanca de liberación y coloque ambas perillas del seguro hacia fuera y apriételas.

### ⚠ ADVERTENCIA

Reponga siempre los pasadores del seguro para evitar la liberación involuntaria del asiento.



### G. PROFUNDIDAD DEL ASIENTO (Figura 7)

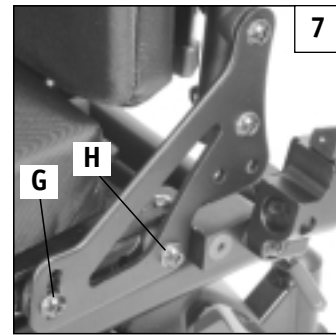
Se puede ajustar la profundidad del asiento en incrementos de una pulgada.

#### 1. Ajuste de la Profundidad del Bastidor

- Para ajustar, quite los dos pernos (G y H) de cada lado de la bisagra del respaldo.
- Coloque el respaldo en la posición deseada.

**NOTA** – Sustituya el perno (H) con el perno de la bisagra del respaldo (G) para obtener una profundidad de asiento de 45.7 cm (18 pulg.)

- Reponga y apriete los pernos de cada lado de la bisagra del respaldo.

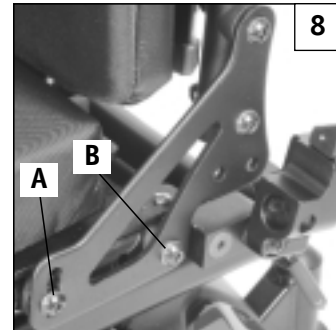


### H. AJUSTE DEL ÁNGULO DEL RESPALDO (Figura 8)

El ajuste del ángulo del respaldo es estándar.

#### Ajuste del Bastidor del Asiento

- Quite el perno frontal (A) en el lado de la bisagra del respaldo.
- Afloje el perno inferior trasero (B)
- Colóquelo al ángulo deseado. Tiene cuatro orificios a escoger (en incrementos de 4°).
- Reinstale el perno frontal (C) y apriete bien ambos pernos.



### I. AJUSTE DE LA ALTURA DEL ASIENTO (Figuras 9 y 10)

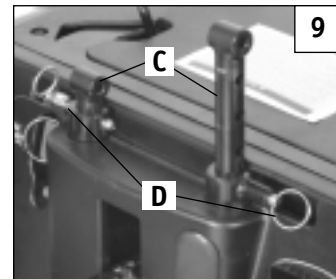
La altura del asiento puede ajustarse desde 44.5 – 54.6 cm (17.5 – 21.5 pulg.) (M11) y desde 48.3 – 58.4 cm (19 - 23 pulg.) en incrementos de 2.5 cm (1 pulg.)

- Remueva el asiento.
- Coloque las cuatro monturas del asiento (C) en la posición deseada quitando los pasadores (D), ajustando las monturas y reponiendo los pasadores.
- Asegúrese que la parte superior de todas las monturas del asiento queden a la misma altura. (excepto como se menciona más adelante)
- Vuelva a poner el asiento.

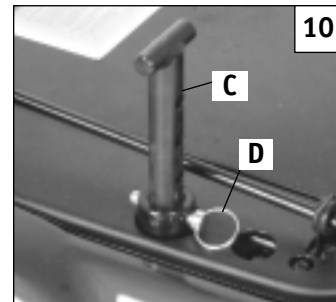
**NOTA** – Se puede ajustar el ángulo del asiento a 2.5 cm (1 pulg.) bajando el poste posterior dos orificios.

#### **⚠ ADVERTENCIA**

En todas las configuraciones de altura del asiento y de ángulos de inclinación fijos, asegúrese que los seguros, tanto el delantero como el trasero (2), se encuentren bien engranados.



Monturas Delanteras



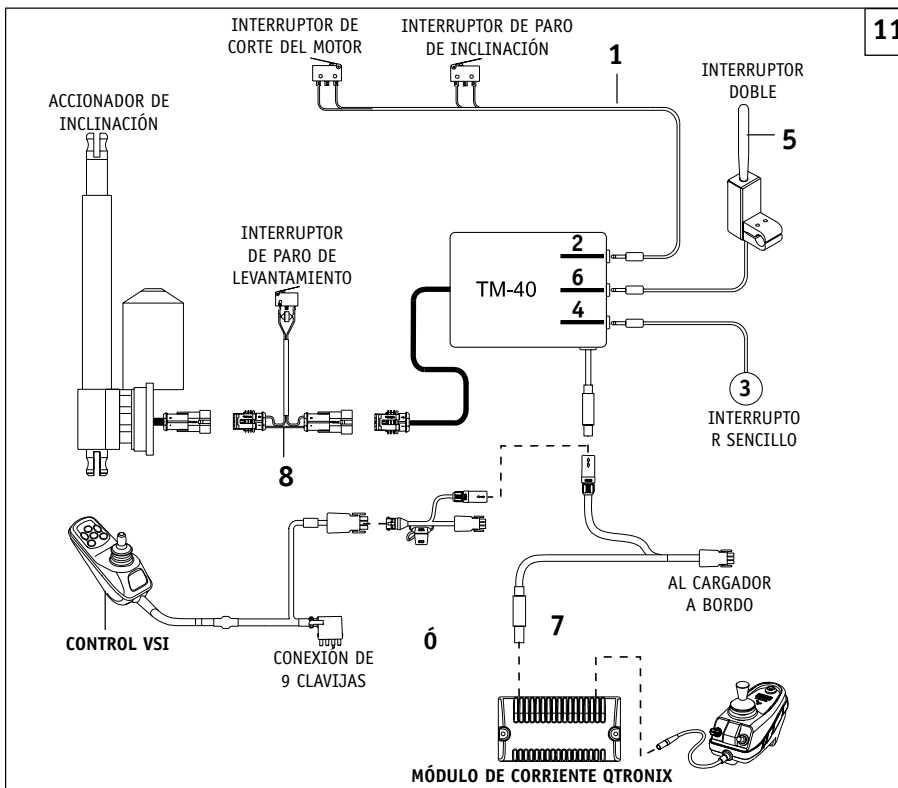
Monturas Traseras



## J. CONTROL DEL ACCIONADOR DE INTERRUPTOR DOBLE O SENCILLO TM40 (Figura 11)

El control del accionador TM40 puede usarse para activar el mecanismo de inclinación con un control de interruptor sencillo o doble.

1. Enchufe el conjunto del arnés del interruptor limitador (1) en el receptáculo del interruptor limitador TM40 (2).
2. Enchufe el interruptor sencillo (3) en el receptáculo del interruptor sencillo TM40 (4) o enchufe el interruptor doble (5) en el receptáculo del interruptor doble TM40 (6).
3. Enchufe el TM 40 en el Módulo de Corriente QTRONIX (7).
4. Use los enchufes correspondientes (8) para conectar el TM40 al accionador de inclinación.



## K. REVISIÓN

Una vez que la inclinación está ajustada, debe funcionar suave y fácilmente. Todos los accesorios también deben funcionar regularmente.

1. Verifique que el asiento se incline por completo y que regrese a la posición neutral.
2. Verifique que el motor se pare una vez que se alcanza la posición neutral.
3. Verifique que no haya residuos que interfieran con los cojinetes de deslizamiento.
4. Verifique que todo el equipo esté bien apretado.
5. Verifique que el interruptor de aseguramiento del motor esté en posición para evitar movimiento si el sistema está a un ángulo mayor de 15°.
6. Verifique que el pasador de seguridad y las perillas traseras de aseguramiento se encuentren en su lugar.

### **⚠ ADVERTENCIA**

**Si los interruptores de paro del accionador no están bien ajustados, el accionador limitará la corriente o se "parará" al final del movimiento. Los "paros" repetidos acortarán la vida útil funcional del accionador.**

## VI. GUÍA DE FUNCIONAMIENTO

### A. ACTIVACIÓN DEL INTERRUPTOR SELECTOR (Figura 1)

1. Para operar, oprima el interruptor selector (A) hacia delante (para inclinarse hacia atrás) o tire hacia atrás (para regresar a neutral) hasta que quede inclinado en la posición deseada.
2. El interruptor selector regresará a neutral cuando se suelte y el sistema dejará de moverse.

### B. ACTIVACIÓN DEL INTERRUPTOR SENCILLO

1. Oprima y sostenga el interruptor sencillo para inclinarse hacia atrás hasta la posición deseada.
2. Oprima y sostenga el interruptor sencillo para regresar a neutral hasta la posición deseada.

### C. ACTIVACIÓN DE LA PALANCA DE MANDO INTEGRAL (OPCIONAL) (Figura 2)

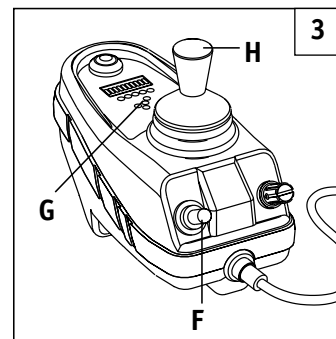
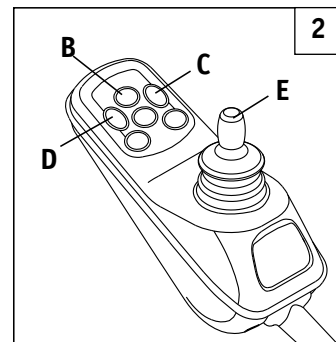
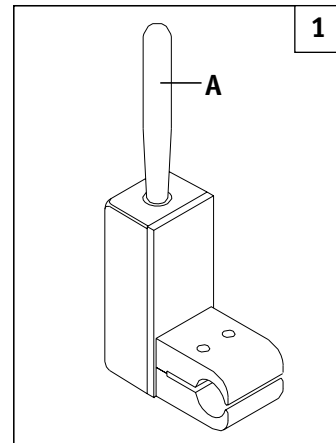
Desde la posición "apagado":

1. Oprima una vez el botón de encendido / apagado (B) para encender la silla.
2. Oprima el botón de inclinación (C o D) para activar la inclinación.
3. Empuje la palanca de mando (E) hacia delante para inclinarse hacia atrás.
4. Empuje la palanca de mando (E) hacia atrás para inclinarse hacia delante.
5. Oprima el botón de inclinación (C o D) para desactivar la inclinación y seguir manejando.

### D. ACTIVACIÓN REMOTA DE LA PALANCA DE MANDO INTEGRAL (OPCIONAL) (Figura 3)

Desde la posición "apagado"

1. Oprima hacia abajo una vez el interruptor selector de modo encendido / apagado (F) para "encender" la silla.
2. Oprima hacia arriba dos veces el interruptor selector de modo encendido / apagado (F) para mover el índice a modo de inclinación (indicado por las dos (2) luces del accionador (G)).
3. Empuje la palanca de mando hacia delante (H) para inclinarse hacia atrás o hacia atrás para inclinarse hacia delante.
4. Oprima hacia arriba una vez el interruptor selector de modo encendido / apagado (F) para regresar al modo de manejo.



## VII. MANTENIMIENTO Y SOLUCIÓN DE PROBLEMAS

### A. MANTENIMIENTO

Debe revisar los artículos de esta tabla a los intervalos regulares. Si algunos de estos artículos están sueltos, desgastados, doblados o distorsionados, pida que sean revisados y / o reparados de inmediato por su distribuidor autorizado Sunrise. El mantenimiento y servicio frecuentes mejorará el funcionamiento y prolongará la vida útil de la silla de ruedas.

**NOTA** - Revíselo semanalmente y use un paño limpio y seco o aire comprimido como sea necesario, para mantener los cojinetes de deslizamiento libres de residuos.

Dianamente	Semanalmente	Mensualmente	Trimestralmente	Anualmente	REVISE...
✓					Cargue las baterías
	✓				Cojines de deslizamiento libres de residuos
	✓				Revise el nivel de inflado de las llantas
	✓				Revise el nivel del electrolito de las baterías (baterías húmedas solamente)
		✓			Revise las conexiones apropiadas de los enchufes y conectores
			✓		Busque desgaste en todas las partes móviles
			✓		Inspeccione que todas las tuercas, pernos y sujetadores no estén flojos o desgastados
			✓		Busque desgaste de la tapicería
			✓		Quite e inspeccione las escobilla del motor
			✓		Revise que los pernos de la montura frontal estén apretados
			✓		Revise la posición del interruptor de límite del accionador
				✓	Busque desgaste excesivo de la montura frontal
				✓	El servicio debe hacerlo un distribuidor autorizado

### B. CONSEJOS PARA LA SOLUCIÓN DE PROBLEMAS

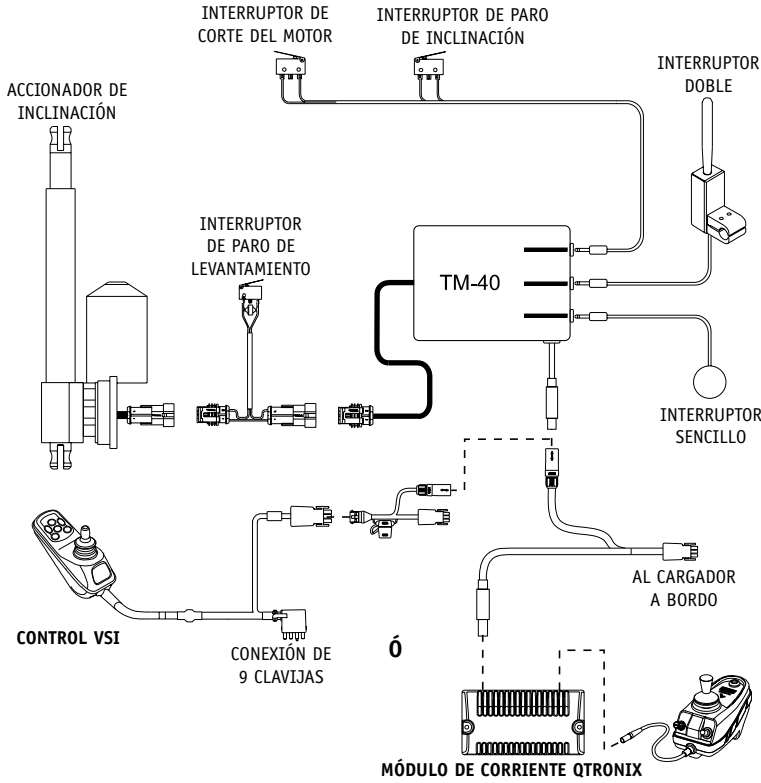
Si llegara a notar que su sistema de Inclinación C.G. se atora, no funciona suavemente o emite un ruido inusual al usarlo, un cuerpo extraño podría estar haciendo contacto con los cojinetes de deslizamiento. Si ocurre esto, use un paño limpio y seco o aire comprimido para limpiarlos o si es necesario, por favor vea a su distribuidor autorizado Sunrise.

Si su sistema de inclinación no funciona, revise que el detector del seguro de inclinación esté bien asentado en su montura. Los alambres deben salir del detector hacia el frente de la silla.

**VIII. DIAGRAMAS DE CABLEADO**

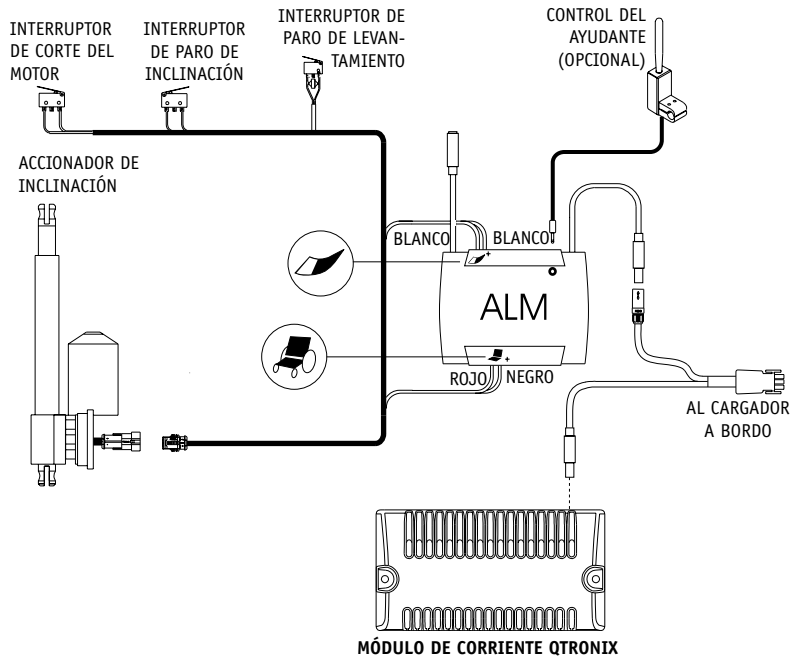
**CONTROL DEL ACCIONADOR TM40**

(Control independiente de interrupción, Palanca de mando integral y Palanca de mando remoto)



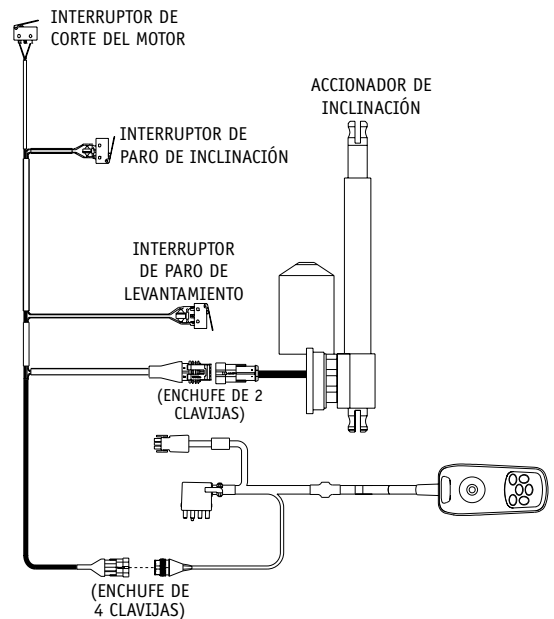
**CONTROL DEL ACCIONADOR ALM**

(A través del control de manejo - Palanca de Mando Remoto)



**CONTROL DEL ACCIONADOR VSI**

(A través del control de manejo - Palanca de Mando Integral)



**IX. GARANTÍA****POR TRES (3) AÑOS:**

Garantizamos el bastidor del asiento, bastidor de la sub-base, accionador y los componentes estructurales del sistema de asiento de inclinación eléctrica C.G. de esta silla de ruedas contra defectos de materiales y mano de obra por tres (3) años a partir de la fecha de compra por el primer usuario.

**POR DOS (2) AÑOS:**

Garantizamos el control del accionador ALM (Módulo de Luces del Accionador) por dos (2) años a partir de la fecha de compra por el primer usuario.

**POR UN (1) AÑO:**

Garantizamos otros componentes electrónicos tales como el control del accionador de interruptor sencillo por un (1) año a partir de la fecha de compra por el primer usuario.

**GARANTÍA ADICIONAL**

Garantizamos todos los demás componentes originales (tales como la tapicería, partes de plástico y caucho y superficies pintadas) por tres (3) meses a partir de la fecha de compra por el primer usuario.







---

**Sunrise Medical, Inc.**

7477 East Dry Creek Pkwy.  
Longmont, CO 80503  
USA  
800-333-4000

**Sunrise Medical Canada, Inc.**

237 Romina Drive, Unit 3  
Concord, Ontario L4K 4V3  
CANADA  
905-660-2459  
800-563-3390

**Sunrise Medical Ltd.**

Sunrise Business Park  
High Street  
Wollaston, West Midlands DY8 4PS  
ENGLAND  
44-138-444-6688

**Sunrise Medical Pty. Limited**

15 Carrington Road, Unit 7  
Castle Hill NSW 2154  
AUSTRALIA  
61-2-9899-3144

**Sunrise Medical**

Zone Industrielle  
Route de Meslay  
37210 Parçay-Meslay  
FRANCE  
33-2-47-88-58-36

**Sunrise Medical**

Industriegebiet  
69254 Malsch/Heidelberg  
GERMANY  
49-7253-980-460