

# *Sidekick*

*The Ultimate in Style & Performance®*



## Owner's Manual

**Pride**  
Mobility Products Corp.

Exeter, PA  
St. Catharines, ON

1-800-800-8586

[www.pridemobility.com](http://www.pridemobility.com)

# SAFETY GUIDELINES

Read and follow all of the instructions in this manual before you attempt to operate your scooter for the first time. If you are unable to understand any of this information or require additional assistance for set-up, contact your local Pride Provider or call the Pride Tech Service Department at **1-800-800-8586**.

The following symbols will be used throughout this Owner's Manual to identify warnings and cautions. It is very important for you to read and understand them completely.



**WARNING! Failure to heed the warnings in this owner's manual may result in personal injury.**



**CAUTION! Failure to heed the cautions in this owner's manual may result in damage to your mobility vehicle.**

Please be sure to fill out and return your warranty card. Also, notify us of any change of address so that we can keep you apprised of important information about safety, new products, and new options that can increase your ability to use and enjoy your scooter.

Your Sidekick:

Body Color \_\_\_\_\_ Serial # \_\_\_\_\_

Purchase Date \_\_\_\_\_ Options \_\_\_\_\_

Your authorized Pride Mobility Products Corporation provider:

Name \_\_\_\_\_

Address \_\_\_\_\_

Phone \_\_\_\_\_

# CONTENTS

<b>I. INTRODUCTION</b> .....	5
<b>II. SAFETY</b> .....	6
<b>III. EMI/RFI</b> .....	9
<b>IV. SPECIFICATIONS</b> .....	11
<b>V. DESCRIPTION</b> .....	13
<b>VI. BATTERIES AND CHARGING</b> .....	17
<b>VII. OPERATION</b> .....	21
<b>VIII. COMFORT ADJUSTMENTS</b> .....	23
<b>IX. DISASSEMBLY AND ASSEMBLY</b> .....	25
<b>X. OPTIONAL ACCESSORIES</b> .....	28
<b>XI. BASIC TROUBLESHOOTING</b> .....	29
<b>XII. CARE AND MAINTENANCE</b> .....	30
<b>XIII. WARRANTY</b> .....	31

# COPYRIGHT

Pride cannot be held responsible for any damage or injury incurred due to improper or unsafe use of a Sidekick Scooter. Nor can Pride be held responsible for any damage or injury incurred during or resulting from attempts to follow the instructions and recommendations set forth in this owner's manual or in any of the instructions displayed on or accompanying the product itself. If you do not feel capable of safely following any of the instructions and recommendations pertaining to your Sidekick Scooter, please contact your authorized Pride provider.

# I. INTRODUCTION

Welcome to Pride Mobility Products Corporation (Pride). Congratulations on the purchase of your new Sidekick Scooter. The Sidekick design combines the most advanced state-of-the-art components with modern, attractive styling. We are certain that the design features and trouble-free operation of your new Sidekick Scooter will add convenience to your daily living.

At Pride, your safety is important to us. **Please read and follow all of the instructions in this manual before you attempt to operate your Scooter for the first time.** These instructions were produced for your benefit. Your understanding of these instructions is essential for the safe operation of your new Sidekick.

This owner's manual is compiled from the latest specifications and product information available at the time of publication. We reserve the right to make changes as they become necessary. Any changes to our products may cause slight variations between the illustrations and explanations in this manual and the product you purchased.

As an owner of a Pride product, you are invited to register your product's warranty and enroll in the Pride Owners Club. You may do so by filling out and returning your enclosed registration card or by visiting Pride's web site at [www.pridemobility.com](http://www.pridemobility.com). As a registered member, each time you visit our site, you will have access to the most interactive and honest educational venue available today for people with mobility needs, their families, and friends.

From the cover page of our site, click on the button that reads "Owners Club," to enter a page dedicated to current and potential Pride Product Owners. You will gain access to interviews, stories, recreation ideas, daily living tips, product and funding information, and interactive message boards. On these message boards you are invited to speak with other Pride customers as well as Pride representatives who are available to assist you with any questions or concerns you may have. You will receive a free gift simply for registering with the Pride Owners Club.

We want to hear your questions, comments, and suggestions about this manual. We would also like to hear about the safety and reliability of your new Sidekick Scooter, as well as about the service you received from your Pride provider. Also, notify us of any change of address, so we can keep you apprised of important information about safety, new products, and new options that can increase your ability to use and enjoy your Sidekick Scooter. Please feel free to write us at the address below:

Pride Mobility Products Corporation  
Attn: Technical Service Department  
182 Susquehanna Avenue  
Exeter, PA 18643-2694

If you experience any problems with your Sidekick that you are not able to solve, or if you do not feel confident in your ability to perform any of the instructions contained in this manual, please contact your local Pride provider. Once you understand how to operate and take care of your Scooter, we are certain that it will give you years of trouble-free service and enjoyment.

The Pride Team

## II. SAFETY

As you begin to use your Sidekick during your daily activities, you will encounter situations that, at first, may require some practice to negotiate on your Sidekick scooter. Simply take your time as you operate your Sidekick and you will soon be in full and confident control as you maneuver through doorways, on and off of elevators, up and down ramps, and over moderate terrain.

### DOORS

- Determine if the door opens toward or away from you.
- Use your hand to turn the knob or push the handle or push-bar.
- Drive your Sidekick gently and slowly forward to push the door open; or drive your Sidekick gently and slowly backwards to pull the door open.

### ELEVATORS

Modern elevators have a door-edge safety mechanism that, when pushed, reopens the elevator door(s).

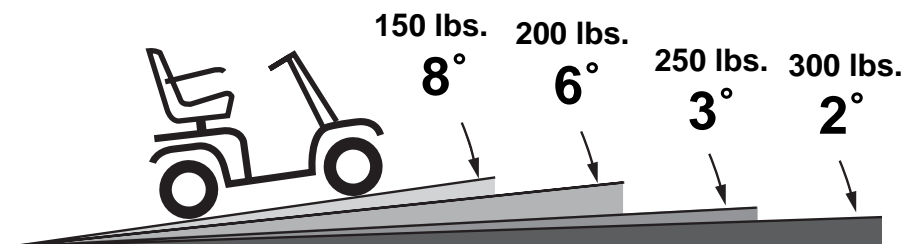
- If you are in the doorway of an elevator when the door(s) begin to close, push on the rubber door edge or allow the rubber door edge to contact the scooter and the door will reopen.
- Use care that pocketbooks, packages, or Sidekick accessories do not become caught in the elevator doors.

### RAMPS AND OTHER INCLINES

More and more buildings have ramps with specified degrees of inclination. These ramps are designed for easy and safe scooter access. Some ramps may have turning switchbacks that require good cornering skills on your Sidekick.

- Take wide swings with your Sidekick's front wheel around any tight corners. If you do that, the Sidekick's rear wheels will follow a wide arc. Do not cut the corner short, and do not bump into or get hung up on any railing corners.
- When driving down a ramp, keep the Sidekick's speed adjustment dial (see V. "Description") set to the tortoise (slowest speed setting) to ensure a safely controlled descent.
- Never drive your Sidekick across the side of a hill or diagonally up or down a hill, and do not stop, if possible, while driving up or down an incline.
- Avoid sudden stops and starts.

Other inclines may be natural or, if man-made, not designed specifically for scooters. Figure 1 illustrates your Sidekick's stability and its ability to climb grades under various weight loads and under controlled testing conditions.



## SIDEKICK

FIGURE 1. MAXIMUM RECOMMENDED INCLINE ANGLE

## II. SAFETY

These tests were conducted with the Sidekick's seat in the highest position and adjusted backward on the seat base to its farthest rearward position. Use this information as a guideline. Your Sidekick's ability to travel up inclines is affected by your weight, your scooter's speed, your angle of approach to the incline, and your scooter setup.

- When you approach an incline, it is best to lean forward. See figures 2 and 3. This shifts the center of gravity of you and your Sidekick toward the front of the scooter for improved stability.



**WARNING! Do not exceed the incline guidelines or any other specifications presented in this manual.**



FIGURE 2. NORMAL DRIVING POSITION

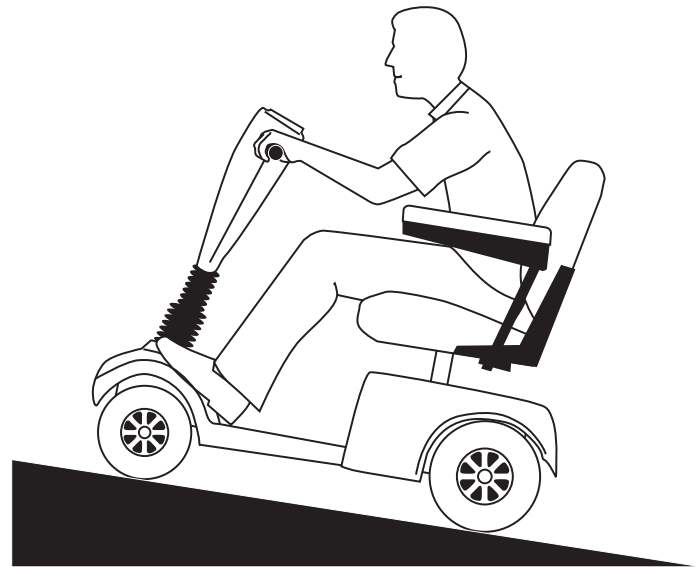


FIGURE 3. INCREASED STABILITY DRIVING POSITION

### DRIVING SURFACES

Your Sidekick was designed to provide optimum stability under normal driving conditions; dry, level surfaces composed of concrete or asphalt. However, Pride recognizes that there will be times when you will operate your Sidekick on surfaces other than concrete or asphalt. For that reason, we also designed your Sidekick to perform admirably on packed soil, grass, and gravel.

- Feel free to use your Sidekick safely on lawns and in park areas.
- Avoid tall grass that can entangle the running gear.
- Packed soil and gravel, such as driveways or roads, present no problem for your Sidekick.
- Avoid loosely packed gravel and sand.
- If you feel unsure about a driving surface, avoid that surface.
- Do not operate your new Sidekick for the first time without completely reading and understanding this owner's manual.
- Do not carry passengers on your Sidekick.
- Do not leave the key in the switch when your Sidekick is unattended.

## II. SAFETY

- Make certain that the seat is locked into place and that the key is removed from the key switch before getting on or off of your Sidekick. Make certain that the seat is in a locked position when you are operating your Sidekick.
- Reduce your Sidekick's speed when you are operating it on uneven terrain and soft surfaces.
- Reduce your Sidekick's speed when you are driving it around a corner.
- Never drive your Sidekick across the side of a hill or diagonally up or down a hill, and do not stop, if possible, while driving up or down an incline.
- Proceed with extreme caution as you approach the downgrade of a ramp or other incline and when driving near a raised surface or unprotected ledges and drop offs (curbs, porches, stairs, etc.).
- Never remove your Sidekick's anti-tip wheels or modify the Sidekick in any way that is not authorized by Pride.
- Use extreme caution when operating your Sidekick on busy streets and in parking lots or shopping malls and never ride your Sidekick where you cannot safely and legally walk. Consult local municipal or state agencies with regard to operating your Sidekick on public roadways.
- Do not operate your Sidekick while you are under the influence of alcohol.
- Check with your physician if you are taking any medications that may affect your ability to operate your Sidekick safely.
- Keep your hands on the tiller and your feet on the floorboard when you are operating your Sidekick.
- Make certain that the tires are properly inflated (30 psi).
- Never use your Sidekick scooter as a seat in a moving vehicle.
- Make certain that the Sidekick's batteries are properly secured when you are transporting your scooter in another vehicle.
- Disconnect your Sidekick's batteries if you will not be using the scooter for more than 48 hours.
- Battery posts, terminals and related accessories contain lead and lead compounds. Wash hands after handling.



**WARNING! Do not expose the electronics to any type of moisture at any time (rain, snow, mist, or washing the scooter). Such exposure can damage the electronics. Never attempt to ride a scooter that has been exposed to moisture until it has dried thoroughly.**



**WARNING! Do not operate or store the scooter where it may be exposed to inclement weather conditions such as rain, snow, mist, and below-freezing temperatures (such as storage on an outside car/van lift). Attempting to operate the scooter in such conditions can damage the electronics and potentially result in loss of control.**



**WARNING! Do not operate a scooter in icy or slippery conditions or on salted surfaces (i.e., walks or roads). Such use may result in an accident, personal injury, or adversely affect the performance and/or safety of your scooter.**



**WARNING! Always protect batteries from freezing temperatures and never charge a frozen battery. This will damage the battery and may cause personal injury. Attempting to charge a battery in freezing conditions does not prevent a battery from freezing.**



# III. EMI / RFI

## **EMI/RFI WARNINGS**

Laboratory tests performed by the Food and Drug Administration (FDA) have shown that radio waves can cause unintended motion of electric scooters. Radio waves are a form of electromagnetic energy (EM). When electromagnetic energy adversely affects the operation of an electrical device, that adverse effect is called *Electromagnetic Interference (EMI) or Radio Frequency Interference (RFI)*.

## **EMI/RFI FREQUENTLY ASKED QUESTIONS (FAQS)**

The following FAQs summarize what you should know about EMI/RFI. Use this information to minimize the risk that EMI/RFI will adversely affect your Sidekick.

### **Where do radio waves come from?**

Radio waves are emitted from the antennas of cellular phones, mobile two-way radios (such as walkie-talkies and CBs), radio stations, TV stations, amateur radio (HAM) transmitters, wireless computer links, microwave sources, and paging transmitters. Radio waves are a form of EM. Because EM is more intense closer to transmitting antennas (sources of emission), the EM fields from two-way radios are of special concern to electric scooter users.

### **If EMI/RFI affects my Sidekick, what kind of motion should I expect?**

This is difficult to predict. The answer would depend on a number of factors:

- The strength of the radio waves.
- The construction of your particular Sidekick.
- The location of your Sidekick (whether it is on level ground or on an incline).
- Whether or not your Sidekick is in motion.

The motion of any electric scooter affected by EMI/RFI can be erratic. The scooter may come to a sudden stop or move in an uncontrolled manner. Also, it is possible for EMI/RFI to release the brakes of an electric scooter. Some intense EMI/RFI can even damage the control system components of an electric scooter.

### **Is there any way to know for certain whether or not radio waves are the cause of any unintended motion of my Sidekick?**

Unfortunately, EMI/RFI may be difficult to recognize, since the signals from radio sources are invisible and may be intermittent. However, the FDA recommends that you report all incidents of unintended motion or unintended brake release of your electric scooter to the scooter's manufacturer and, if possible, determine whether or not there was a radio wave source nearby at the time of the incident.

One precaution you can take against inadvertent motion of your Sidekick is to make certain that you or someone else is not the cause of the unintended motion.

- Turn off your Sidekick by removing the key from the key switch when you are getting on or off of your Sidekick.
- Never leave the key in the key switch of an unattended Sidekick.

By following these steps, you greatly reduce the risk of you or anyone else inadvertently bumping the throttle control levers and causing the Sidekick to move unintentionally.

### **Are all scooters susceptible EMI/RFI?**

Each make and model of electric scooter differs in its ability to resist EMI/RFI. That is, each scooter has a particular level of resistance to EMI/RFI. This resistance is measured in volts per meter (V/m). A higher resistance level offers greater protection against EMI/RFI. In other words, an electric scooter with a high resistance level is less likely to be affected by a strong radio source than is an electric scooter with a low resistance level.

# III. EMI / RFI

## **What is the FDA doing about the problem?**

The FDA has written to electric scooter manufacturers and requested that those manufacturers test their new models of scooters to be certain that they provide a reasonable degree of resistance against EMI/RFI. The FDA has stated that all newly-manufactured models of electric scooters should have a resistance level of at least 20 V/m. This resistance level provides a reasonable degree of protection against the common sources of EMI/RFI.

The FDA has also requested or recommended that:

- Electric scooter manufacturers clearly label new products with that product's resistance level or state that the resistance level is not known.
- The labeling or informational material supplied with new electric scooters must explain what the resistance level means and warn users about the possibility of EMI/RFI and how to avoid it.
- Electric scooter manufacturers undertake an educational program to inform electric scooter users and their caregivers about the problems associated with EMI/RFI and about the actions they can take to minimize the risk of EMI/RFI.
- While there is no exact way to tell if your scooter is totally safe, an immunity level of 20 V/m (May 1994) is generally achievable and useful. This product has been tested and passed at an immunity level of 20 V/m. Adding accessories and components or modifying the unit may change the susceptibility to EMI/RFI.

## **What can I do to find out if my Sidekick is likely to be affected by EMI/RFI?**

If you have had your Sidekick for some time and have not experienced any unintended motion, it is not likely that you will have a problem in the future. However, it is always possible that EMI problems could arise if you are close to a source of radio waves. Therefore, it is very important for you to be alert to this possibility. The Sidekick scooter meets or exceeds a resistance level of at least 20 V/m.

## **What can I do to reduce the risk of my Sidekick being affected by EMI/RFI?**

Here are some precautions you can take:

- Do not turn on or use hand-held personal communications devices, such as citizen's band (CB) radios and cellular phones, while your Sidekick is turned on.
- Be aware of nearby radio wave transmitters, such as radio or TV stations and hand-held or mobile two-way radios. Try not to operate your Sidekick too close to those transmitters. For example, if you are on an electric scooter with a resistance level of at least 20 V/m, you should remain at least three feet from a hand-held two-way radio and at least ten feet from a mobile two-way radio.
- Be aware that adding accessories and/or components, or modifying your Sidekick in any way, may change its EMI/RFI resistance level and may make it more susceptible to interference from radio wave sources.

## **What should I do if my Sidekick moves unexpectedly?**

If unintended motion or unintended brake release occurs, turn off your Sidekick (by removing the key) as soon as it is safe to do so.

## **If my Sidekick moves unintentionally, where should I report the incident?**

Call our headquarters at 1-800-800-8586 to report the incident.

# IV. SPECIFICATIONS

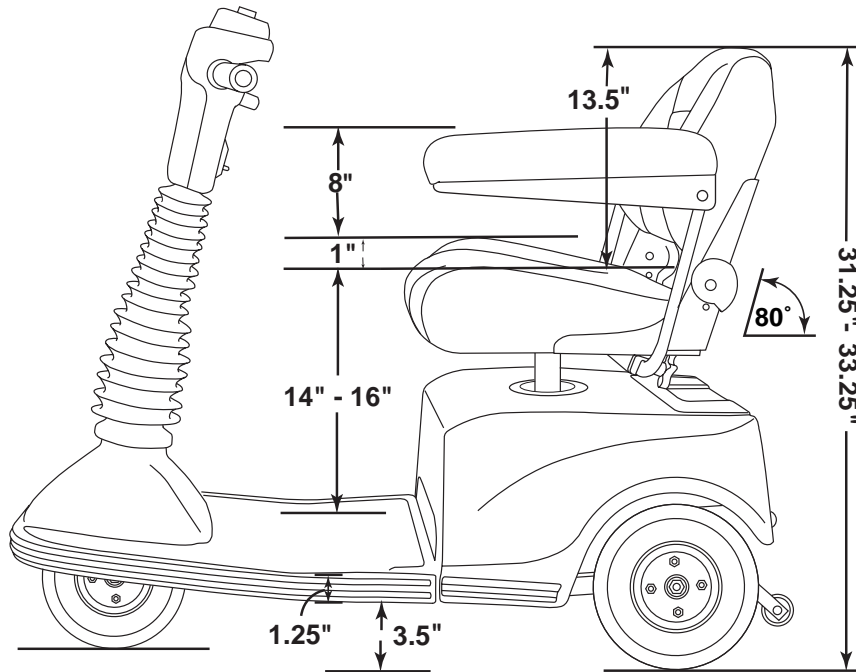
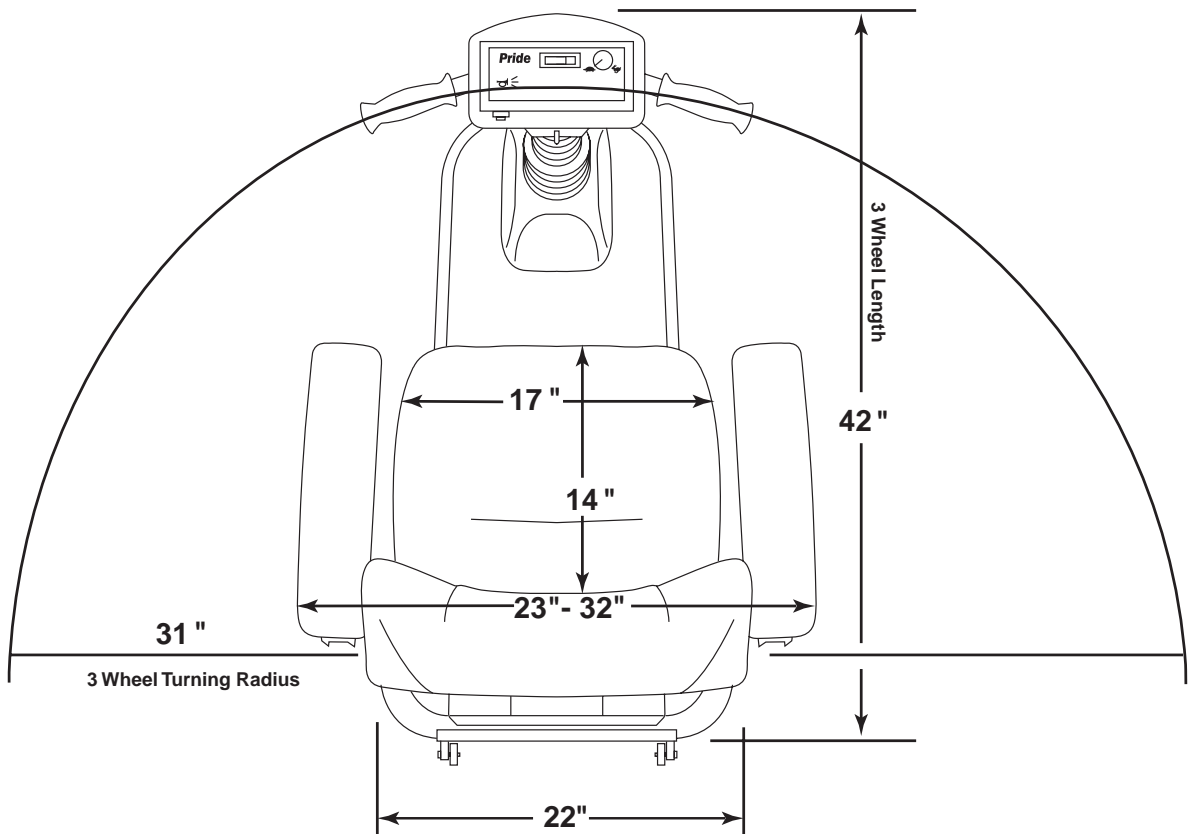


FIGURE 4. SIDEKICK DIMENSIONS



# V. SPECIFICATIONS

<b>Model Numbers</b>	SC-200, SC-201																				
<b>Length</b>	42in.																				
<b>Width</b>	22.75in.																				
<b>Tires</b>	Type: Pneumatic Front: 2in. x 8in., Rear: 2.5in. x 9in.																				
<b>Weight Capacity</b>	300 lbs. (136 kg) Maximum																				
<b>Battery Type (batteries not included)</b>	Two 12V, 32 AH, U-1 type, SLA (Sealed Lead Acid)																				
<b>Horsepower</b>	1.2 hp (peak)																				
<b>Charger</b>	Onboard amp charger																				
<b>Speed (max)</b>	Variable up to 4.5mph (60% reverse)																				
<b>Maximum Grade</b>	Please refer to figure 1.																				
<b>Range</b>	20-25 miles per charge with 32AH batteries																				
<b>Turning Radius</b>	3 in.																				
<b>Body Colors</b>	Painted: Champagne or Gray																				
<b>Seating</b>	<p>Style: Low back</p> <p>Dimensions: 17in. width (usable) x 13.5in. height (usable) x 14in. depth</p> <p>Seat Cover Material: Vinyl or Fabric, Brown, Burgundy, Blue or Gray</p> <p>Armrests: Match</p> <p>User adjustable seat height from ground: 18.75in. to 20.75in.</p> <p>User adjustable seat height from scooter deck: 14in. to 16in.</p>																				
<b>Included Features</b>	Adjustable seat height and positioning, onboard assessorly bracket																				
<b>Brakes</b>	Electronic regenerative braking and electromechanical disc brake																				
<b>Rear Wheel Drive</b>	Sealed Transaxle, 24V DC Motor																				
<b>Wheels</b>	Black steel rims																				
<b>Tiller Type</b>	4-position user-adjustable																				
<b>Freewheel Mechanism</b>	Freewheel release lever located on transaxle																				
<b>Scooter Weight</b>	<table> <tr> <td>TOTAL weight w/batteries:</td> <td>148.5 lbs.</td> </tr> <tr> <td>TOTAL weight w/o batteries:</td> <td>98.5 lbs.</td> </tr> <tr> <td>Component breakdown:</td> <td></td> </tr> <tr> <td>Front section:</td> <td>28.5 lbs.</td> </tr> <tr> <td>Rear section (w/o batteries, shroud, tray):</td> <td>36.5 lbs</td> </tr> <tr> <td>Rear plastic shroud:</td> <td>3.0 lbs.</td> </tr> <tr> <td>Seat:</td> <td>25.5 lbs.</td> </tr> <tr> <td>Batteries (2 required):</td> <td>25.0 lbs. each</td> </tr> <tr> <td></td> <td>(12V, 32 AH)</td> </tr> <tr> <td>Tray:</td> <td>5.0 lbs.</td> </tr> </table>	TOTAL weight w/batteries:	148.5 lbs.	TOTAL weight w/o batteries:	98.5 lbs.	Component breakdown:		Front section:	28.5 lbs.	Rear section (w/o batteries, shroud, tray):	36.5 lbs	Rear plastic shroud:	3.0 lbs.	Seat:	25.5 lbs.	Batteries (2 required):	25.0 lbs. each		(12V, 32 AH)	Tray:	5.0 lbs.
TOTAL weight w/batteries:	148.5 lbs.																				
TOTAL weight w/o batteries:	98.5 lbs.																				
Component breakdown:																					
Front section:	28.5 lbs.																				
Rear section (w/o batteries, shroud, tray):	36.5 lbs																				
Rear plastic shroud:	3.0 lbs.																				
Seat:	25.5 lbs.																				
Batteries (2 required):	25.0 lbs. each																				
	(12V, 32 AH)																				
Tray:	5.0 lbs.																				
<b>Front-to-rear Lockup</b>	Lock pin and lever system																				
<b>Ground Clearance</b>	3.5in.																				
<b>Optional Accessories</b>	Cane/crutch holder, cup holder, front basket, headlight, oxygen holder, power seat assembly, rear basket, rear bumper, rearview mirror, safety flag, taillight, walker holder																				

# V. DESCRIPTION

Your Sidekick is a motorized electric scooter designed to enhance your personal mobility. Your Sidekick is an indoor/outdoor scooter designed to travel primarily on smooth surfaces, such as sidewalks, roads, parking lots, floors, and driveways. For easy transportation or storage, you can disassemble your Sidekick into six (6) components. See figure 5.

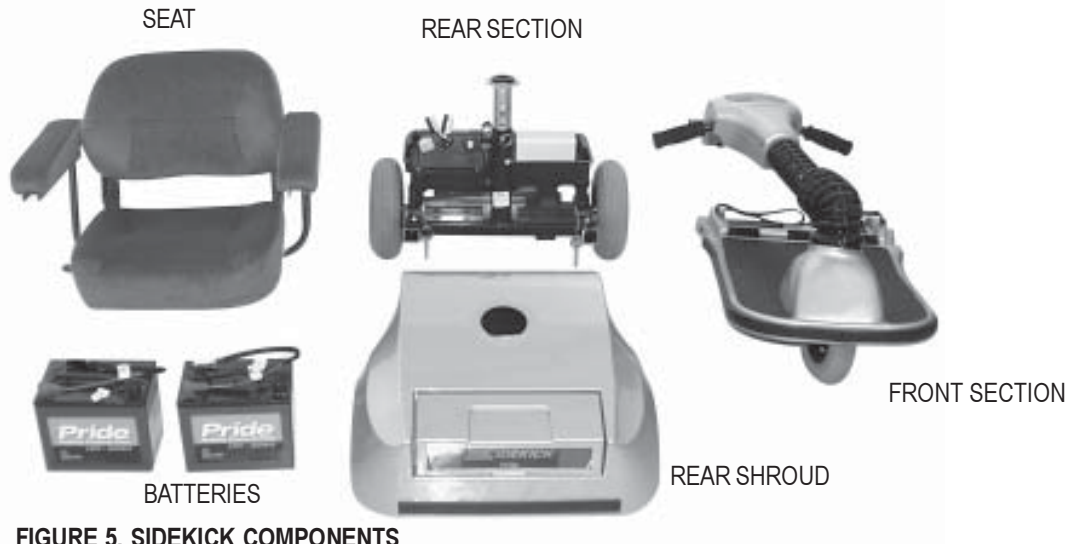


FIGURE 5. SIDEKICK COMPONENTS

## CONTROL CONSOLE ASSEMBLY

The control console assembly houses all of the controls you need to drive your Sidekick, including the key, the switch, the speed adjustment dial, the throttle control lever, the battery condition meter, the horn button, the tiller adjustment lever, and the light switch. See figure 6.

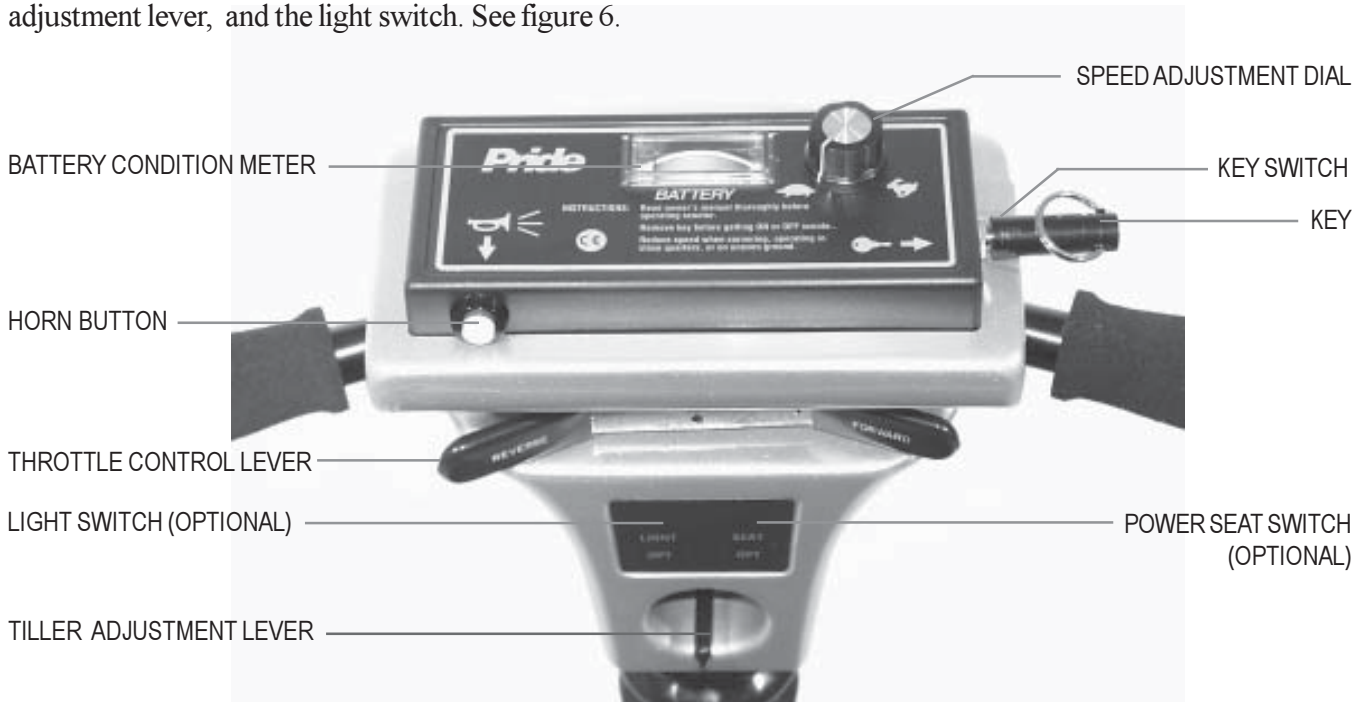


FIGURE 6. CONTROL CONSOLE ASSEMBLY

# V. DESCRIPTION

Do not expose the control console assembly to moisture. In the event that the control console assembly does become exposed to moisture, do not attempt to operate your Sidekick until the control console assembly has thoroughly dried.

## Key Switch

- Fully insert the key into the key switch to power up (turn on) your Sidekick.
- Pull the key out to power down (turn off) your Sidekick.



**WARNING! If the key is removed from the key switch while your Sidekick is in motion, the electronic brakes engage and your Sidekick comes to an abrupt stop!**

## Speed Adjustment Dial

This adjustment dial enables you to preselect and limit your Sidekick's top speed.

- The image of the tortoise represents the slowest speed setting.
- The image of the hare represents the fastest speed setting.

## Throttle Control Lever

This lever allows you to control the forward speed and the reverse speed of your Sidekick up to the maximum speed you preset with the speed adjustment dial.

- Place your right hand on the right handgrip and your left hand on the left handgrip.
- Use your right thumb to push the right side of the lever to disengage your Sidekick's brakes and move forward.
- Release the lever and allow your Sidekick to come to a complete stop before pushing the other side of the lever to move in reverse.
- When the throttle is completely released, it automatically returns to the center "stop" position and engages your Sidekick's brakes.

## Battery Condition Meter

Whenever you have the key fully inserted, this meter gives an approximate reading of your Sidekick's battery voltage.

## Horn Button

- The key must be fully inserted into the key switch for the horn to be operational.
- This button activates a warning horn.
- Do not hesitate to use the warning horn when its use could prevent accident or injury.

## Light Switch(Optional)

This switch controls your Sidekick's lighting system.

- Press this switch once to turn on the lights.
- Press it again to turn off the lights.

# V. DESCRIPTION

## REAR SECTION

The onboard battery charger, the charger power cord receptacle, the batteries, the electronic controller assembly, the main circuit breaker, the manual freewheel lever, and the motor/transaxle assembly are located beneath the shroud on the rear section of your Sidekick. See figure's 7 and 8. Refer to IX. "Disassembly and Assembly" for instructions on removing the rear shroud.

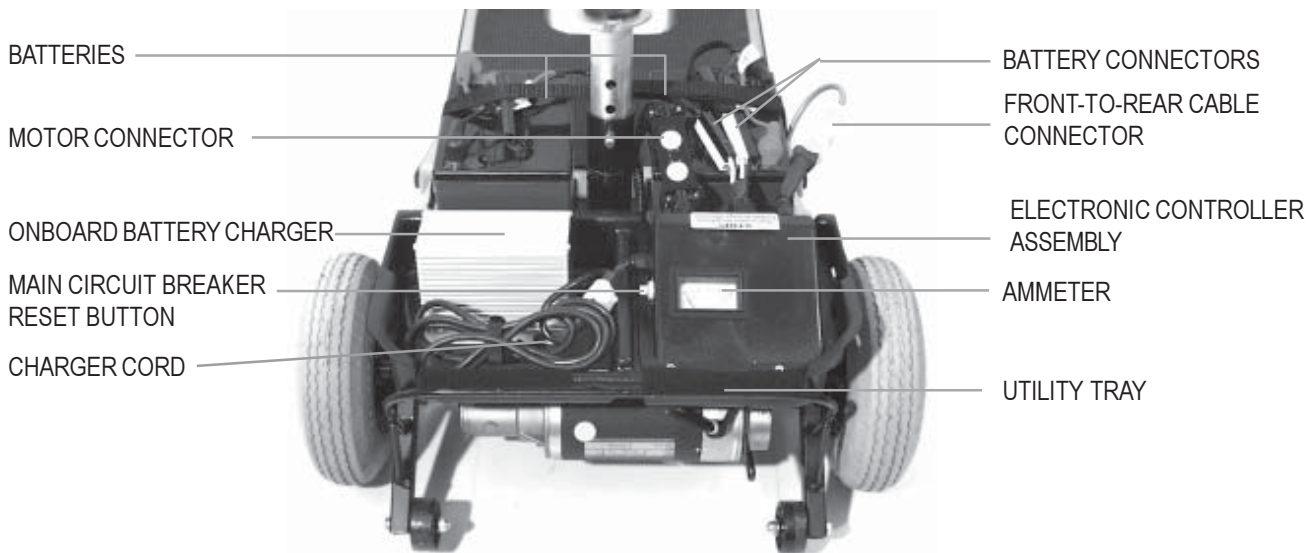


FIGURE 7. UTILITY TRAY COMPONENTS

### Onboard Battery Charger

The onboard battery charger converts household current (AC) to direct current (DC) and charges the batteries of your Sidekick. See VI. "Batteries and Charging."

- The charger is located on the utility tray. See figure 7.
- The charger is a black-colored plastic box with a green and red LED indicator on the exterior of the case.

### Batteries

The batteries store the electrical energy that powers your Sidekick. See VI. "Batteries and Charging."

### Electronic Controller Assembly

The electronic controller assembly is located behind the batteries and at the forward right corner of the Sidekick's rear. See figure 7. This assembly receives electrical signals from the control console assembly controls and sends power to the motor, the brakes, and the lighting system (optional).

Do not expose the electronic controller assembly to moisture. In the event that the electronic controller assembly does become exposed to moisture, do not attempt to operate your Sidekick until the assembly has thoroughly dried.

### Main Circuit Breaker

When the voltage in your Sidekick's batteries becomes low or your Sidekick is heavily strained because of excessive loads or steep inclines, the main circuit breaker may trip to protect your Sidekick's motor and electronics from damage.

## V. DESCRIPTION

- The main circuit breaker is mounted on the utility tray, behind the electronic controller assembly. See figure 7.
- The main circuit breaker reset button pops out when the breaker trips.
- When the breaker trips, the entire electrical system of your Sidekick shuts down.
- Allow a minute or so for your Sidekick's electronics to "rest."
- Push in the reset button to reset the breaker.
- If the breaker trips frequently, you may need to charge your batteries more often. You may also need to have your Pride provider perform a load test on your Sidekick's batteries.
- If the main circuit breaker trips repeatedly, see your authorized Pride provider for service.

### Manual Freewheel Lever

Whenever you need or want to push your Sidekick for short distances, you can put it in manual freewheel mode.



**WARNING! Before placing your Sidekick into or taking it out of freewheel mode, make certain that the key is removed from the key switch. Even though the motor of your Sidekick is disengaged from the drive system when your scooter is put in manual freewheel mode, the motor can still run if the throttle lever is pushed. Never sit on a scooter when it is in freewheel mode. Never put a scooter in freewheel mode on any incline.**

- The manual freewheel lever is located on the end of the motor/transaxle assembly at the right rear of the Sidekick. See figure 8.
- Pull up on the manual freewheel lever to disable the drive system and the brake system.
- You may push your Sidekick.
- Push down on the manual freewheel lever to reengage the drive system and the brake system and take your Sidekick out of freewheel mode.

### Motor/Transaxle Assembly

The motor/transaxle assembly is the electromechanical unit that converts the electrical energy of your Sidekick's batteries into the controlled mechanical energy that drives the Sidekick's wheels. See figure 8.

### Anti-Tip Wheels

The anti-tip wheels are an integral and important safety feature of your Sidekick. Do not, under any circumstances, remove the anti-tip wheels from your Sidekick. See figure 8.

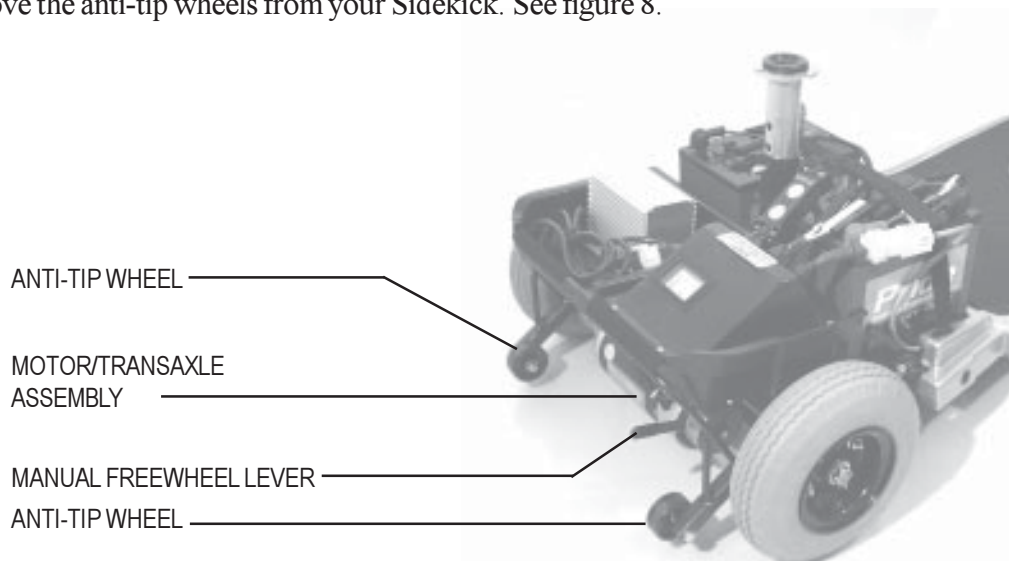


FIGURE 8. REAR SECTION



## VI. BATTERIES AND CHARGING

Your Sidekick uses two long-lasting, 12-volt, deep-cycle batteries that are sealed and maintenance free. They are recharged by an onboard 3-amp charging system designed for ease of use and convenience. See figure 7.

- Charge your Sidekick's batteries prior to using it for the first time.
- Keep your batteries fully charged to keep your Sidekick running trouble free.

### **FOLLOW THESE EASY STEPS TO CHARGE YOUR BATTERIES SAFELY:**

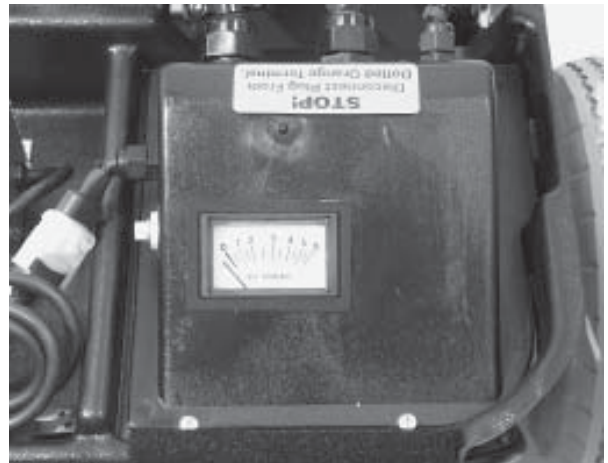
1. Position your scooter close to a standard wall outlet.
2. Remove the key from the key switch.
3. Make certain that the freewheel lever is in the down (drive) position.
4. Extend the charger power cord and plug it into the wall outlet. See figure 9.

*NOTE: There is a charger inhibit on your scooter. The scooter will not run and the battery conditionmeter will not operate while the batteries are charging.*

5. It is recommended that you charge your batteries for 8 to 14 hours. You can check this periodically by the battery condition meter on the control console. However, you must first unplug the battery charger and then insert the key. The battery condition meter on the control console indicates the approximate strength of your batteries. When fully charged, the meter reads 24 volts. You can also check the charge by the ammeter which is visible on the controller assembly cover located on the utility tray under the rear shroud. The battery charger must be plugged into a wall outlet to obtain a reading. When the amperage reading is at or near zero (0) amps, the battery charging is complete. See figure 10.
6. When the batteries are fully charged, unplug the charger power cord from the wall outlet and then from the charger power cord receptacle at the rear of your Sidekick.



**FIGURE 9. CHARGER POWER CORD**



**FIGURE 10. AMMETER INDICATES BATTERY IS FULLY CHARGED**

# VI. BATTERIES AND CHARGING

## BATTERIES AND CHARGING-FREQUENTLY ASKED QUESTIONS (FAQS)

### How does the charger work?

When your Sidekick's battery voltage is low, the charger works harder and sends more electrical current to the batteries to bring up their charge. As the voltage of the batteries approaches a full charge, the charger sends less and less electrical current to the batteries. When the batteries are fully charged, the current sent to them from the charger is at nearly zero amperage. Therefore, when the charger is plugged in, it maintains the charge on your Sidekick's batteries but does not overcharge them. We do not recommend that you charge your Sidekick's batteries for more than 24 consecutive hours.

### What do the LEDs on the onboard battery charger indicate?

The onboard battery charger is equipped with two LEDs (*Light Emitting Diodes*) that indicate the charging status of your scooter's batteries.

- Blinking green LED — Batteries are charging
- Solid green LED — Batteries are at 90% full charge
- Solid red LED — Charger is on

### Can I use a different charger?

For the safest, most efficient, and balanced charging of your Sidekick's batteries, we prefer and highly recommend the simultaneous charging of both batteries by using the onboard battery charger.

### How often must I charge the batteries?

Two major factors must be considered when deciding how often to charge your Sidekick's batteries:

- All day scooter use on a daily basis.
- Infrequent or sporadic scooter use.

With these considerations in mind, you can determine just how often and for how long you should charge your Sidekick's batteries. We designed the onboard charger so that it will not overcharge your scooter's batteries (do not charge them for more than 24 consecutive hours). However, you may encounter some problems if you do not charge your batteries often enough and if you do not charge them on a regular basis. Following the five guidelines below will provide safe and reliable battery operation and charging.

- If you use your Sidekick daily, charge its batteries as soon as you finish using it for the day. Your Sidekick will be ready each morning to give you a "full day" of service. We recommend that you charge your Sidekick's batteries for 8 to 14 hours after daily use.
- If you use your Sidekick once a week or less, charge its batteries at least once a week for 12 to 14 hours at a time.
- Keep your Sidekick's batteries fully charged.
- Avoid deeply discharging your Sidekick's batteries.
- Do not charge your Sidekick's batteries for more than 24 consecutive hours.

# VI. BATTERIES AND CHARGING

## How can I get maximum range or distance per charge?

Rarely will you have ideal driving conditions—smooth, flat, hard driving surfaces with no wind or curves. You will often face hills, sidewalk cracks, uneven and loosely packed surfaces, curves, and wind. All of these driving conditions affect the distance or running time per battery charge. Below are a few suggestions for obtaining the maximum range per battery charge.

- Always fully charge your Sidekick's batteries prior to your daily use.
- Maintain 30 psi (pounds per square inch) in all of your Sidekick's tires.
- Plan your route ahead to avoid as many hills, cracked, broken, or soft surfaces as possible.
- Limit your baggage weight to essential items.
- Try to maintain an even speed while your Sidekick is in motion.
- Avoid stop-and-go driving.

## What type and size of battery should I use?

We recommend deep-cycle batteries that are sealed and maintenance free. Both Sealed Lead Acid (SLA) and Gel Cell are deep-cycle batteries that are similar in performance in your Sidekick. Do not use wet-cell batteries, which have removable caps.

*NOTE: Do not remove the caps from sealed batteries. Water cannot be added to sealed batteries. Cap removal voids the battery warranty and may cause damage to the batteries and to your Sidekick.*

## Use these specifications to reorder deep-cycle batteries:

Type:	Deep-cycle (sealed lead-acid or gel cell)
Size:	U-1
Voltage:	12 volts each
Amperage:	32 AH (amp hours)

## To change a battery in your Sidekick:



**WARNING! Battery posts, terminals and related accessories contain lead and lead compounds. Wash hands after handling.**

1. Remove the seat and the rear shroud. See IX. "Disassembly and Assembly."
2. Disconnect the battery cables from the electronic controller assembly.
3. Disconnect the battery cables from the battery terminals.
4. Remove the old battery.
5. Place a new battery in the battery well.
6. Connect the red battery cable to the positive (+) battery terminal.
7. Connect the black battery cable to the negative (-) battery terminal.
8. Reconnect the battery cables to the electronic controller assembly.
9. Reinstall the rear shroud and the seat.

## Why do my new batteries seem weak?

Deep-cycle batteries employ a different chemical technology than is used in car batteries, nickel-cadmium batteries (nicads), or in other common battery types. Deep-cycle batteries are specifically designed to provide power, drain down their charge, and then accept a relatively quick recharge.

## VI. BATTERIES AND CHARGING

We work closely with our battery manufacturer to provide batteries that best suit your Sidekick's specific electrical demands. Fresh batteries arrive daily at Pride and are shipped fully charged to our customers. During shipping, the batteries may encounter temperature extremes that may influence their initial performance. Heat diminishes the charge on the battery; cold slows the available power and extends the time needed to recharge the battery.

It may take a few days for the temperature of your Sidekick's batteries to stabilize and adjust to their new room or ambient temperature.

More importantly, it takes a few charging cycles (a partial drain followed by a full recharge) to establish the critical chemical balance that is essential to a deep-cycle battery's peak performance and long life.

Please follow these steps to properly break in your Sidekick's new batteries for maximum efficiency and service life.

1. Fully recharge any new battery prior to its initial use. This charging cycle brings the battery up to about 88% of its peak performance level.
2. Operate your new Sidekick in familiar and safe areas. Drive slowly at first, and do not travel too far from your home or familiar surroundings until you have become accustomed to your Sidekick's controls and have properly broken in your scooter's batteries.
3. Fully recharge the batteries. They should be at over 90% of their peak performance level.
4. Operate your Sidekick again.
5. Fully recharge the batteries again.
6. After four or five charging cycles, the batteries are able to receive a charge of 100% of their peak performance level and are able to last for an extended period of time.

### **How can I ensure maximum battery life?**

Fully charged deep-cycle batteries provide reliable performance and extended battery life. Keep your Sidekick's batteries fully charged whenever possible. Batteries that are regularly and deeply discharged, infrequently charged, or stored without a full charge may be permanently damaged, causing unreliable performance and limited service life.

### **How should I store my Sidekick and its batteries?**

If you plan on not using your Sidekick for an extended period of time, it is best to:

- Fully charge its batteries prior to storage.
- Disconnect the battery harnesses from the electronic controller assembly.
- Store your Sidekick in a warm, dry environment.
- Avoid storing your Sidekick where it will be exposed to temperature extremes.



**WARNING! If your Sidekick's batteries do become frozen, do not attempt to charge them. Cold or frozen batteries should be allowed to warm up for several days prior to recharging.**

For prolonged storage, you may wish to place several boards under the frame of your Sidekick to raise the scooter off of the ground. This takes the weight off of the tires and reduces the possibility of flat spots developing on the areas of the tires contacting the ground.

### **What about public transportation?**

If you intend to use public transportation while using your scooter, you must contact in advance the transportation provider to determine their specific requirements.

# VII. OPERATION

## GETTING ON YOUR SIDEKICK

1. Make certain that the key is removed from the key switch.
2. Stand at the side of your Sidekick.
3. Push down on the seat lock lever and rotate the seat until it is facing you.
4. Make certain that the seat is locked securely in position.
5. Position yourself comfortably and securely in the seat.
6. Push down on the seat lock lever and rotate the seat until you are facing forward.
7. Make certain that the seat is locked securely in position.
8. Make certain that your feet are safely on the floorboard.
9. Follow the checklist below. Familiarize yourself with this checklist, since some of the checks must be performed before you get on your Sidekick.

## PRE-RIDE ADJUSTMENTS AND CHECKS

- ✓ Have you fully charged the batteries? See VI. “Batteries and Battery Charging.”
- ✓ Is the manual freewheel lever in the run position? Never leave the manual freewheel lever pulled up unless you are manually pushing your Sidekick. See V. “Description.”
- ✓ Is your proposed path clear of people, pets, and obstacles?
- ✓ Have you planned your route to avoid adverse terrain and as many inclines as possible?
- ✓ Are you positioned comfortably in the seat? See “Getting On Your Sidekick,” above.
- ✓ Is the seat at the proper height? See VIII. “Comfort Adjustments.”
- ✓ Is the seat locked securely in place? See VIII. “Comfort Adjustments.”
- ✓ Is the tiller handle at a comfortable setting and locked securely in place? See VIII. “Comfort Adjustments.”
- ✓ Is the key fully inserted into the key switch? See V. “Description.”
- ✓ Is the speed adjustment dial set to a lower setting? See V. “Description.”
- ✓ Are you grasping the handgrips with a thumb resting on each side of the throttle lever? See V. “Description.”
- ✓ Does your Sidekick’s horn work properly?

## OPERATING YOUR SIDEKICK

After planning your route:

- Adjust the speed adjustment dial on the control console assembly to your desired speed.
- Press your thumb against the appropriate throttle lever.
- The electric brake automatically disengages and the Sidekick accelerates smoothly to the speed you preselected with the speed adjustment dial.

*NOTE: The rear-wheel-drive transaxle gives your Sidekick maximum traction with minimal steering effort on your part.*

## WHETHER YOU ARE DRIVING FORWARD OR IN REVERSE:

- Pull on the left handgrip to steer your Sidekick to the left.
- Pull on the right handgrip to steer your Sidekick to the right.
- Move the tiller to the center position to drive straight ahead.
- Release the throttle lever to decelerate and come to a complete stop.
- The electric brake automatically engages when your Sidekick comes to a stop.

## VII. OPERATION

### GETTING OFF OF YOUR SIDEKICK

1. Bring your Sidekick to a complete stop.
2. Make certain that the key is removed from the key switch.
3. Push down on the seat lock lever and rotate the seat until you are facing toward the side of your Sidekick.
4. Make certain that the seat is locked securely in position.
5. Carefully and safely get out of the seat and stand to the side of your Sidekick.
6. You may, if you wish, leave the seat facing to the side to facilitate boarding your Sidekick the next time you are going to operate it.

# VIII. COMFORT ADJUSTMENTS

## TILLER ANGLE ADJUSTMENT



**WARNING!** Remove the key before adjusting the tiller. Never attempt to adjust the tiller while the scooter is in motion.

You can adjust the tiller to any number of positions between the forward stop and the scooter deck. The tiller adjustment lever locks the tiller in position.

1. Push down on the tiller adjustment lever. See figure 11.
2. Move the tiller to a comfortable position.
3. Release the tiller adjustment lever. The tiller remains in the position you selected.

*NOTE: In order to lower the tiller to the scooter deck, you must first remove the seat and both batteries. See IX. "Disassembly and Assembly."*

## SEAT HEIGHT ADJUSTMENT

The seat can be repositioned to one of three different heights.

1. Remove the seat and shroud from your Sidekick. See IX. "Disassembly and Assembly."
2. Use the attached ring to pull and remove the ball detent pin from the seat post tower. See figure 12.
3. Raise or lower the seat pedestal to the desired seat height.
4. While holding the seat pedestal at that height, match up the holes in the seat pedestal and in the lower seat post.
5. Fully insert the ball detent pin.
6. Reinstall the seat.

## ARMREST WIDTH ADJUSTMENT

The Sidekick armrest width can be adjusted inward or outward.

1. Loosen the armrest adjustment knobs at the back of the seat frame. See figure 13.
2. Slide the armrests in or out to the desired width.
3. Tighten the armrest adjustment knobs.

The armrests can also be lifted upward to allow getting on and off of your Sidekick easier.



FIGURE 11. TILLER ADJUSTMENT

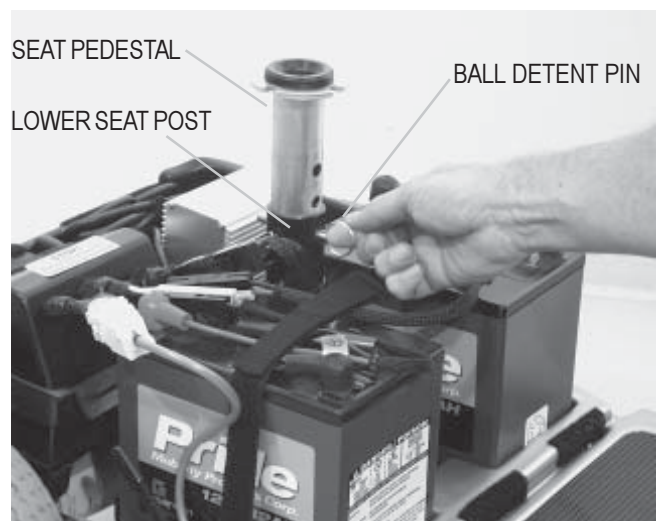


FIGURE 12. SEAT HEIGHT ADJUSTMENT

# VIII. COMFORT ADJUSTMENTS

## FRONT-TO-BACK SEAT ADJUSTMENT

You can change the Sidekick front-to-back seat position.

1. Remove the seat.
2. Use a 7/16-in. wrench to remove the seat position adjustment screws. See figure 13.
3. Reposition the seat base on the seat and reinstall the seat position adjustment screws.
4. Reinstall the seat.

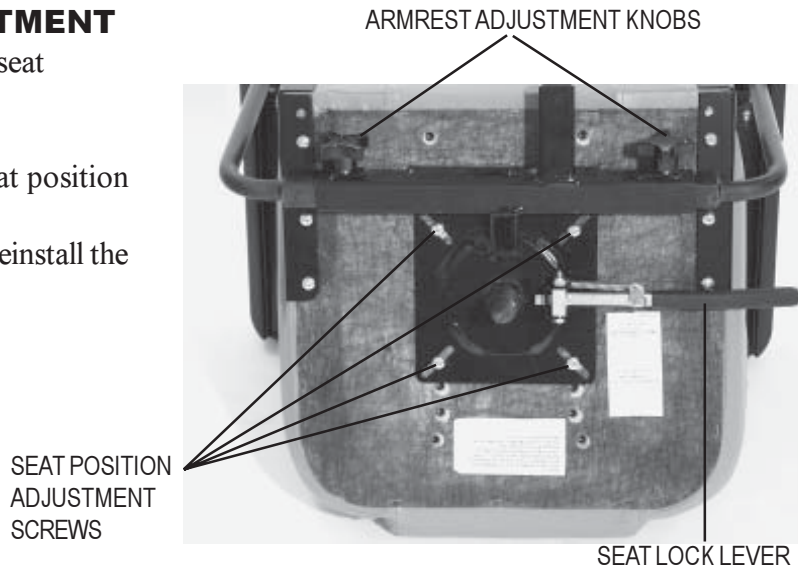


FIGURE 13. SEAT ADJUSTMENTS

## POWER SEAT ACTUATOR (OPTIONAL)

Your Sidekick may be equipped with a power seat. The power seat actuator raises and lowers the seat automatically. See figure 14.



**WARNING!** The power seat mechanism is intended for operation only while the vehicle is stationary and on a level surface. Its purpose is to aid you in reaching objects. Strict adherence to the following safety rules is vital to your safety: Do not attempt to raise or lower the seat while in motion! Do not operate your scooter with the power seat elevated. It is recommended that the vehicle be driven only with the seat in the lowest position.

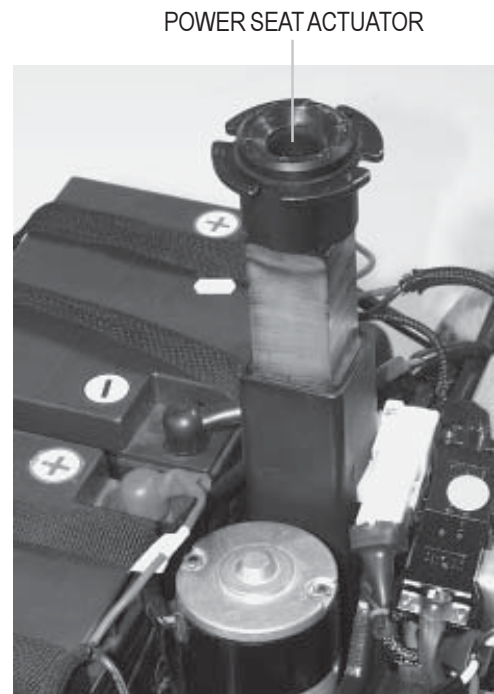


FIGURE 14. POWER SEAT ACTUATOR (OPTIONAL)



# IX. DISASSEMBLY AND ASSEMBLY

No tools are required to disassemble or assemble your Sidekick. Always disassemble or assemble your Sidekick on a level, dry surface with sufficient room for you to work and move around your scooter. Keep in mind that the disassembled sections of the Sidekick take up more floor space than the assembled Sidekick.

## DISASSEMBLY

You can disassemble the Sidekick into six pieces: the seat, the front frame, the rear frame, the rear shroud, and the batteries. You can also remove the utility tray if necessary. Place the scooter in an area where you have sufficient clearance to move the parts around. You need about four or five feet in all directions. You may need assistance to lift some of the scooter components. See IV. “Specifications” for individual component weights.

1. Place the manual freewheel lever in the drive (down) position.
2. Unplug the charger, coil the cord, and store it in the rear compartment.
3. Gently lift the seat up and off of the Sidekick. See figure 15.
4. Gently lift the rear shroud off of the Sidekick. See figure 16.
5. Unplug the large white front-to-rear connector that connects the front control console assembly harness to the electronic controller assembly. See figure 17.
6. Disconnect the motor harness. See figure 18.
7. Unplug both battery harnesses. Disconnect the battery tie-down straps (if so equipped), and lift both batteries off of the Sidekick. See figures 19 and 20.



**CAUTION! Failure to unplug both battery harnesses and the control console harness prior to disassembly could result in permanent damage to the Sidekick.**

8. Grab the handle grip on the tiller, pull upward on the release lever, and gently lower the tiller down to the center of the Sidekick chassis until it is fully lowered.
9. Push the locking levers forward and remove the ball detent pins. See figures 21 and 22.
10. Gently slide the two sections of the scooter apart. See figure 23.



FIGURE 15. SEAT REMOVAL

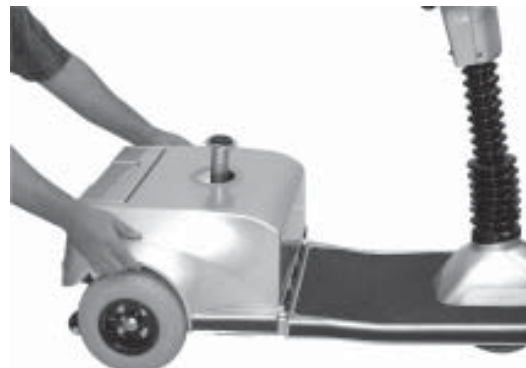


FIGURE 16. SHROUD REMOVAL

# IX. DISASSEMBLY AND ASSEMBLY

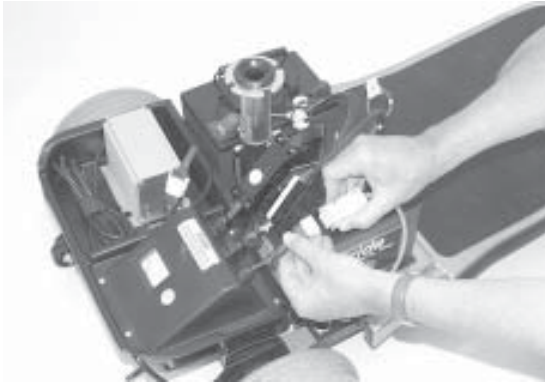


FIGURE 17. DISCONNECTING THE FRONT-TO-REAR CABLE



FIGURE 21. PUSH LOCKING LEVERS FORWARD



FIGURE 18. DISCONNECTING THE MOTOR HARNESS



FIGURE 22. REMOVE BALL DETENT PINS WITH RINGS



FIGURE 19. BATTERY HARNESSES

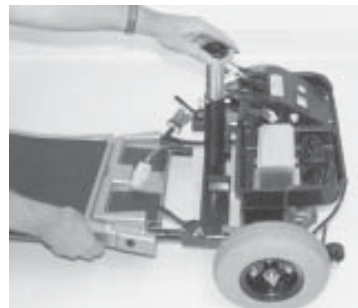


FIGURE 23. SEPARATING THE FRAME SECTIONS



FIGURE 20. BATTERY REMOVAL

BATTERY TIE-DOWN STRAP

# IX. DISASSEMBLY AND ASSEMBLY

## ASSEMBLY

1. Place the manual freewheel lever in the drive (down) position.
2. Position the front and rear sections next to each other.
3. Tilt the rear end to a horizontal position and insert the longer tube of the front end into the rear section first; make sure that the locking cam levers are vertically positioned and the locking pins are removed.
4. Slide the two sections of the unit together until the front half reaches its insertion limit.
5. Secure the front and rear sections with the ball detent pins.
6. Push the frame lock levers back to their locked (downward) position.
7. Plug the large 9-pin white plastic connector from the electronic controller assembly of the Sidekick into the mating plug from the control console assembly. The two orange dots present on both plugs should be adjacent to each other and enable quick plug mating.
8. Put the batteries in place and plug the 2-pin battery harnesses into the adjoining harnesses that are also located on the electronic controller assembly. Reconnect the battery tie-down straps.
9. Connect the 6-pin motor harness plug.
10. Gently place the rear shroud over the seat pedestal.
11. Connect the rear light harness (if so equipped).
12. Slide the shroud down in place. Make sure that the rear plastic shroud does not make any contact with the rear wheels.
13. Carefully lift the seat and slide the small seat post (on the seat bottom) into the seat pedestal.
14. Rotate the seat until it locks into place.

# X. OPTIONAL ACCESSORIES

## OPTIONAL ACCESSORIES

For information concerning these optional accessories, see your authorized Pride provider, or call Pride Mobility Products Corporation at 1-800-800-8586.



• SINGLE CRUTCH HOLDER



• DOUBLE CRUTCH HOLDER



• OXYGEN TANK HOLDER



• REAR BASKET



• WALKER HOLDER



• FOREARM CRUTCH HOLDER



• REAR BUMPER



• FRONT BASKET (SQUARE)



• FRONT BASKET (ROUND)

# XI. BASIC TROUBLESHOOTING

Any electromechanical device occasionally requires some troubleshooting. However, most of the problems that may arise can usually be solved with a bit of thought and common sense. Many of these problems occur because the batteries are not fully charged or because the batteries are worn down and can no longer hold a charge.

## **What if all the systems on my Sidekick seem to be “dead”?**

- Make certain that the key is fully inserted in the key switch.
- Check that the batteries are fully charged. See VI. “Batteries and Charging.”
- Push in the reset button to reset the main circuit breaker. See V. “Description.”
- Make certain that both battery harnesses are firmly connected to the electronic controller assembly and to the battery terminals. See IX. “Disassembly and Assembly.”
- Make sure that the front-to-rear harness connector is firmly connected. See IX. “Disassembly and Assembly.”

## **What if the motor runs but my Sidekick does not move?**

- Your Sidekick was probably left in manual freewheel mode.
- When the manual freewheel lever is pulled up, the brakes are disengaged and all power to the transaxle is cut.
- Push down the manual freewheel lever to restore normal operation to your Sidekick. See V. “Description.”

## **What if the main circuit breaker repeatedly trips? See VI. “Description.”**

- Charge the Sidekick’s batteries more frequently. See VI. “Batteries and Charging.”
- If the problem continues, have both of your Sidekick’s batteries load tested by your authorized Pride provider.
- Or, battery load testers are available at most automotive parts stores.
  - ✓ Follow the directions supplied with the load tester.
  - ✓ See VI. “Batteries and Charging” or IV. “Specifications” for information about your Sidekick’s battery type.

## **What if the battery condition meter dips way down and the motor surges or hesitates when I press my Sidekick’s throttle control lever? See V. “Description.”**

- Fully charge your Sidekick’s batteries. See VI. “Batteries and Charging.”
- Have your authorized Pride provider load test each battery.
- Or, see the previous troubleshooting question for load testing the batteries yourself.

## **What if the Sidekick’s batteries won’t charge?**

- Check the charger fuse to make sure it is in working condition.
- Ensure all the battery cables are properly fastened to the battery terminals.
- Ensure the battery connectors are fully clipped into each other. See figure 7.

If you experience any problems with your Sidekick that you are not able to solve, immediately contact your authorized Pride provider for information, maintenance, and service.

## XII. CARE AND MAINTENANCE

Your Sidekick requires a minimal amount of care and maintenance. If you do not feel confident in your ability to perform the maintenance listed below, you may schedule inspection and maintenance at your authorized Pride provider. The following areas require periodic inspection and/or care and maintenance.

### **TIRE PRESSURE:**

- We recommend that the tire pressure be maintained at 30 psi. For optimum scooter performance, do not exceed that pressure; overinflating a tire can cause it to explode.

### **TIRE CONDITION AND TREAD WEAR:**

- Regularly inspect your Sidekick's tires for signs of wear.
- Use a rubber conditioner on your Sidekick's tires to help to preserve them.
- Do not put rubber conditioner on tire tread; this may cause the tires to become dangerously slippery.

### **EXTERIOR SURFACES:**

- Bumpers and trim also benefit from an occasional application of rubber or vinyl conditioner.
- Do not use a rubber or vinyl conditioner on the Sidekick's floormat or vinyl seat; they may become dangerously slippery.

### **BATTERY TERMINAL CONNECTIONS:**

- Make certain that the terminal connections remain tight and uncorroded.
- The batteries must sit flat in the battery wells.
- The battery terminals should face the rear of the Sidekick.

### **WIRING HARNESES:**

- Regularly check all wiring connections.
- Regularly check all wiring insulation, including the charger power cord, for wear or damage.
- Repair or replace any damaged connector, connection, or insulation that you find before using your Sidekick again.

### **ABS PLASTIC SHROUDS:**

- The front console shroud, front shroud, and the rear shroud are formed from durable ABS plastic and coated with an advanced formula urethane paint.
- A light application of car wax will help the shrouds retain their high gloss.

### **AXLE BEARINGS AND THE MOTOR/TRANSAXLE ASSEMBLY:**

- These items are all prelubricated, sealed, and require no subsequent lubrication.
- Keep these areas free of moisture.
- If any of these items do become exposed to moisture, let them dry thoroughly before operating your Sidekick again.

### **STORAGE:**

See VI. "Batteries and Charging" and refer to "How should I store my Sidekick and its batteries?"

### **BATTERY CHARGER FUSE:**

The fuse has been incorporated into your charger to protect it from damage in the event of an electrical problem.



**CAUTION! The replacement fuse must match the rating of the original fuse exactly. If you install a fuse with an incorrect rating, you may damage the charger. Contact your local Pride provider for fuse rating information.**

If your charger fuse repeatedly blows, try plugging your Victory's power charger cord into an outlet on a different circuit.

- The fuse is located under a cap on the outside of the battery charger.
- The cap unscrews to allow access to the fuse.
- Unscrew the cap and replace the fuse if it has blown.

# XIII. WARRANTY

## THREE-YEAR LIMITED WARRANTY

Structural frame components; including platform, fork, seat post, and frame.

Drive train; including transaxle, motor, and brake.

First year: 100% replacement of parts cost

Second year: 67% replacement of parts cost

Third year: 50% replacement of parts cost

## THREE-YEAR WARRANTY EXCEPTIONS

**Transaxle:** In cases where there is an increase in the operational noise level, the warranty does not apply. (The increase in operational noise level usually occurs due to abusive and excessive strain on the scooter.)

**Motor:** If damage occurs to the motor commutator as a result of not replacing the motor brushes after heavy wear to the brushes. Motor brushes are wear items and are not warranted.

**Motor brake:** Three-year warranty for the electrical function of the motor brake. Brake pads are a wear item and are not warranted.

## ONE-YEAR LIMITED WARRANTY

For one (1) year from the date of purchase, Pride Mobility Products Corporation will repair or replace, at our option, to the original purchaser, free of charge, any part found upon examination by an authorized representative of Pride to be defective in material and/or workmanship.

The battery is warranted by the battery manufacturer. The battery is not warranted by Pride.

Warranty service can be performed by a provider authorized by Pride or by Pride. Do not return faulty parts to Pride without prior consent. All transportation costs and shipping damage incurred while submitting parts for repair or replacement are the responsibility of the original purchaser.

## WARRANTY EXCLUSIONS

- ABS plastic shrouds and footrest covers (wear items and not warranted)
- Batteries (the battery manufacturer provides a six-month limited warranty)
- Tires and tire tubes (wear items and not warranted)
- Upholstery and seating (wear items and not warranted)
- Repairs and/or modifications made to any part of the scooter without specific and prior consent from Pride
- Circumstances beyond the control of Pride
- Damage caused by:
  - ✓ Battery fluid spillage or leakage
  - ✓ Abuse, misuse, accident, or negligence
  - ✓ Improper operation, maintenance, or storage
  - ✓ Commercial use or use other than normal
- Labor, service calls, shipping, and other charges incurred for repair of the product

## XIII. WARRANTY

There is no other express warranty.

Implied warranties, including those of merchantability and fitness for a particular purpose, are limited to one (1) year from the date of original purchase and to the extent permitted by law. Any and all implied warranties are excluded. This is the exclusive remedy. Liabilities for consequential damages under any and all warranties are excluded.

Some states do not allow limitations on how long an implied warranty lasts or do not allow the exclusion of limitation of incidental or consequential damages. So, the above limitation or exclusion may not apply to you.

The warranty gives you specific rights, and you may also have other rights, which vary from state to state.

Please fill out the warranty card and mail it to Pride. Doing so will aid Pride in providing you with the best possible technical and customer service.



# NOTES

# NOTES